

Product Name	MARQUIS II
Voltage & Frequency	120-254V
Degree of Protection	IP65

CERTIFICATE No(s): SIRA06ATEX4191X  
 IECExSIR 06.0055X

CODING: Ex II 3 GD Ex nA T4

AMBIENT TEMP: -20C To (REFER TO CERTIFICATE & INSTALLATION & OPERATIONS MANUAL)

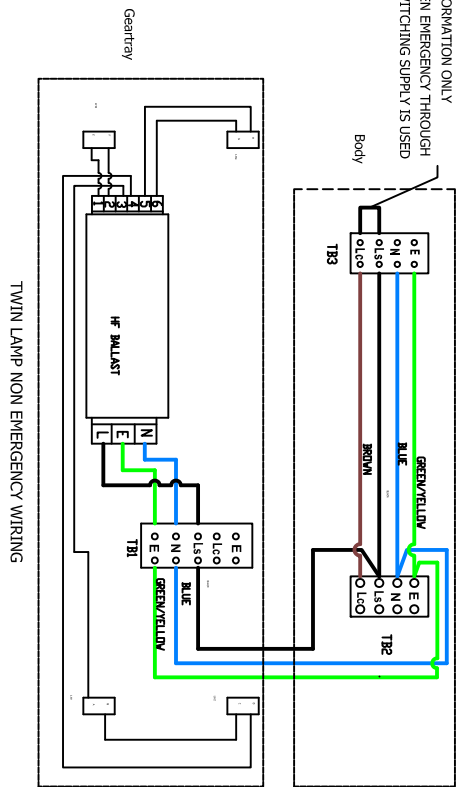
- NOTES:
- A) BODY: GRP
  - B) DIFFUSER : POLYCARBONATE
  - C) CLIPS : STAINLESS STEEL
  - D) LUMINAIRE SUSPENSION: WASHERS ARE PROVIDED TO ACHIEVE IP65 RATING
  - E) CABLE ENTRY: 2 X 20 mm (ONE AT EACH END)
  - F) CABLE: SUITABLE FOR UP TO 4.0 mm SQ.
  - G) POWER FACTOR : GREATER THAN 0.98

LUMINAIRE TYPE	DIMENSION 'A'	'B'	'C'	'D'	NO OFF RETAINING CLIPS	WEIGHT
MA2N/218/BI	702	500	172	106	6 OFF	3.3KG
MA2N/236/BI	1312	800	172	106	8 OFF	4.5KG
MA2N/258/BI	1612	1100	172	106	10 OFF	6.5KG

DRAWN	Slee
CHECKED	
APPROVED	
DATE	11.05.07

REF. DRES:-

USER INSTALLATION INFORMATION ONLY  
 REMOVE WIRE LINK WHEN EMERGENCY THROUGH  
 WIRING WITH LOCAL SWITCHING SUPPLY IS USED



WITHOUT OUR PERMISSION THIS DRAWING, WHICH IS OUR  
 COPYRIGHT, MAY NOT BE REPRODUCED OR MADE AVAILABLE  
 TO THIRD PARTIES.  
 AUTHORIZATION IS GIVEN TO .....  
 TO REPRODUCE THIS DRAWING FOR INTERNAL PURPOSES ONLY.

CHG	DATE	ISSUE	TOLERANCE	SEE NOTES	FINISH	DIMS. IN	SCALE	TITLE
CHANGE				SEE NOTES	Finish	MM	-	<b>Victor Lighting</b> MARQUIS II-MA2N/1X18-58W NON EMERGENCY HF RANGE GRP BODY TYPE
DOF No.								Victor Lighting PO Box 5571, Glasgow G52 9AH Scotland Tel:0141 810 9644 Fax:0141 810 9642
MOD BY								DRAWING NUMBER/SHEET NUMBER F2685 1 OF 1

DOF No.	MOD BY	CHANGE	DATE	ISSUE	TOLERANCE	SEE NOTES	FINISH	DIMS. IN	SCALE	TITLE
						SEE NOTES	Finish	MM	-	<b>Victor Lighting</b> MARQUIS II-MA2N/1X18-58W NON EMERGENCY HF RANGE GRP BODY TYPE