



## FLAMEPROOF TYPE Ex 'd' EMERGENCY ELECTRONIC FLUORESCENT LUMINAIRE

### APPLICATIONS

- | Zone 1 hazardous gas areas
- | Zone 21 hazardous dust environments
- | General purpose & emergency lighting
- | Chemical and pharmaceutical industries
- | Spray paint booths
- | Gas & dust

### CERTIFICATION AND APPROVAL

ATEX Certificate No. SIRA00ATEX1021X

Ex II 2 GD EEx de IIC (for 18W Version)

Ex II 2 GD EEx de IIB (for 36W & 58W Versions)

18W EEx d IIC T6 (Ta = -20°C to +55°C)

36W EEx d IIB T6 (Ta = -20°C to +52°C)  
Or EEx d IIB T5 (Ta = -20°C to +55°C)

58W EEx d IIB T6 (Ta = -20°C to +48°C)  
Or EEx d IIB T5 (Ta = -20°C to +55°C)

Ingress protection to IP66 & IP67

GOST Approved

### FEATURES AND BENEFITS

- | Up to 3 hours battery duration
- | Maintained or switched emergency operation
- | High frequency electronic control gear reduces running costs by up to 15%
- | Simple 'Uni-Strut' fixing
- | Lightweight and low profile construction
- | Quick lamp start, flicker free
- | Suitable for high ambient areas
- | Cool running improves T-rating
- | Compact design

# CATEGORY 2 TYPE Ex 'd' FLAMEPROOF

## ORDERING REFERENCE

Std. Cat Ref.	Wattage	Lamp Type	Lampholder	T Class	T °C (Dust)	Ambient °C
<b>VISD/218/BI/EM</b>	2x18W	Bi-Pin	T8	T6	85	55
<b>VISD/236/BI/EM</b>	2x36W	Bi-Pin	T8	T6	85	52
			T8	T5	100	55
<b>VISD/258/BI/EM</b>	2x58W	Bi-Pin	T8	T6	85	48

## TECHNICAL SPECIFICATION

### LAMP TYPES

T8 Bi-pin fluorescents:  
18W (600mm luminaires)  
36W (1200mm luminaires)  
58W (1500mm luminaires)

### POWER SUPPLY

220V-254V, 47/63Hz AC  
110V-130V, 47/63Hz AC

### EMERGENCY LIGHT OUTPUT

Typically 3 hours duration at 25°C

Lamps	Light Output
2 x 18W	14%
2 x 36W	7%
2 x 58W	5%

### POWER CONSUMPTION

2 x 18W Lamps - 42W circuit watts at 240V 0.19A  
2 x 36W Lamps - 76W circuit watts at 240V 0.36A  
2 x 58W Lamps - 115W circuit watts at 240V 0.53A

### POWER FACTOR

Greater than 0.95

### TERMINALS

Up to 6mm<sup>2</sup>. Terminals for live, live switched, neutral, earth, and looping are provided. Internally earthed. External earth provided.

### CABLE ENTRIES

Two M20 x 1.5 entries adaptors available on request. The type of cable gland used must maintain the flame proof protection.

### TEMPERATURE

Dependant on lamp type as per table below.

2 x 18W T6 (Ta = -20°C to +55°C)  
2 x 36W T6 (Ta = -20°C to +52°C)  
Or T5 (Ta = -20°C to +55°C)  
2 x 58W T6 (Ta = -20°C to +48°C)  
Or T5 (Ta = -20°C to +55°C)

### MATERIALS

Main body LM25 aluminium alloy.  
Borosilicate glass overtube, stainless steel reflector.

### WEIGHT

2 x 18W Lamps - 9Kg  
2 x 36W Lamps - 16Kg  
2 x 58W Lamps - 18Kg

### SUSPENSION

Standard support channel supplied will accept Ø10mm fasteners with variable fixing points and compatible with existing cable support systems.

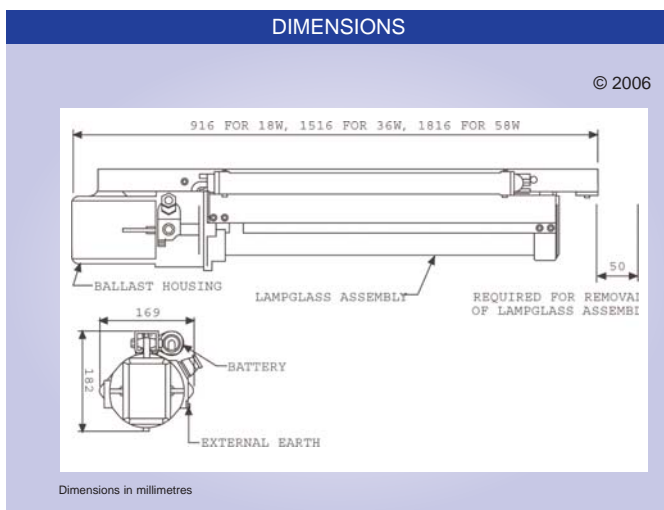
## OPTIONS - SUFFIX TO CATALOGUE REF.

**/120** Specific voltage (110/130V)  
**/M25** M25 Entries

## ACCESSORIES

Description	Part No.
<b>Ceiling mount bracket (2 required per luminaire)</b>	SEXCE-00001
<b>Pole clamp s/s (35-40mm dia)</b>	SEXCE-00002
<b>Pole clamp s/s (40-50mm dia)</b>	SEXCE-00003
<b>Wall bracket</b>	SEXCE-00009
<b>Wire guard (18W)</b>	SVISD-00008
<b>Wire guard (36W)</b>	SVISD-00009
<b>Wire guard (58W)</b>	SVISD-00010

## DIMENSIONS



To calculate photometric values for lighting design, please use the free Victor "Lite Guide" software package. To request your copy, please contact your local Victor agent or use the request form on the website.