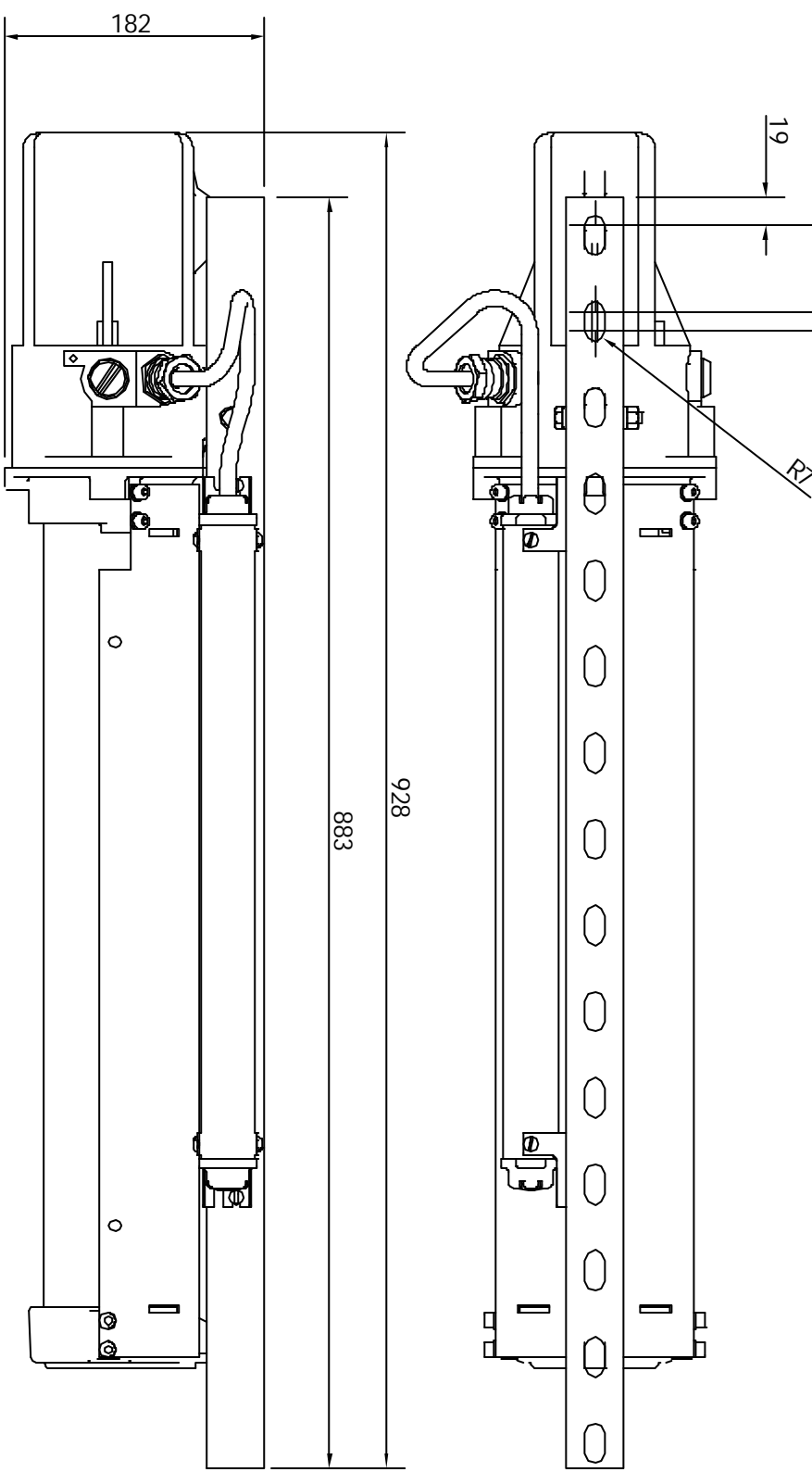
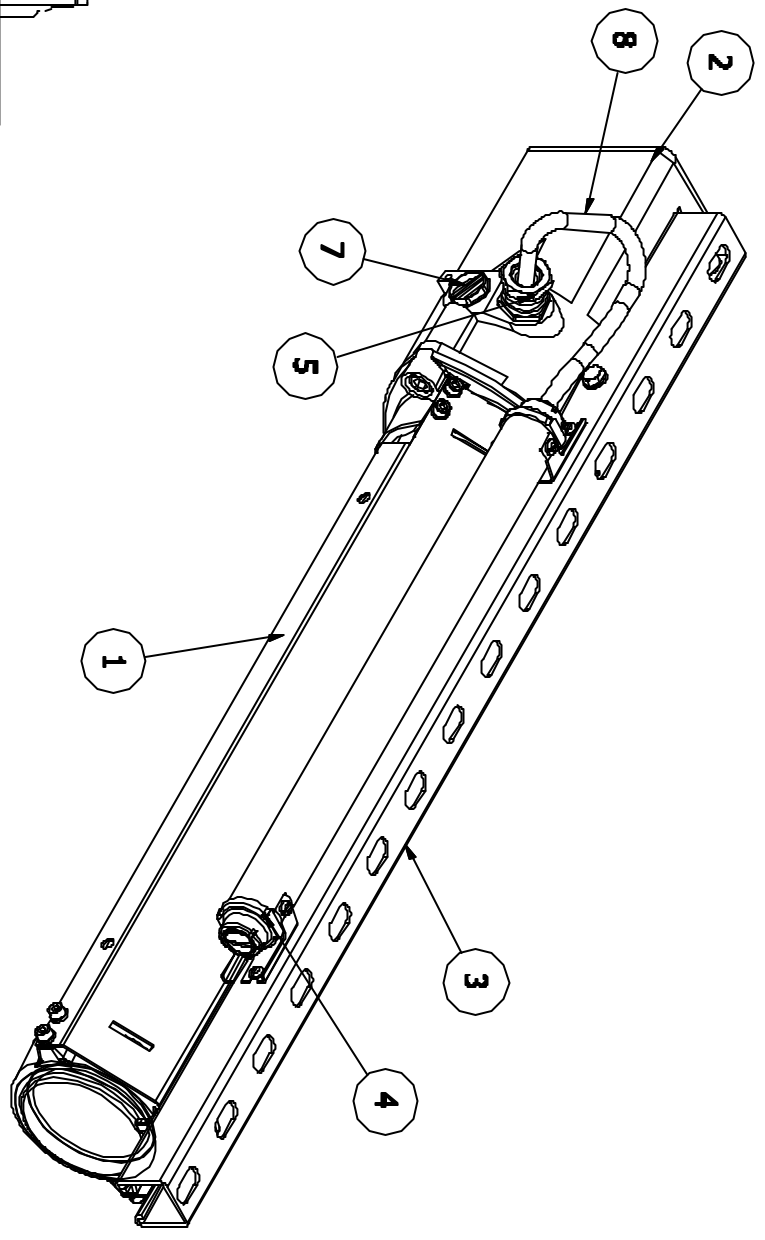
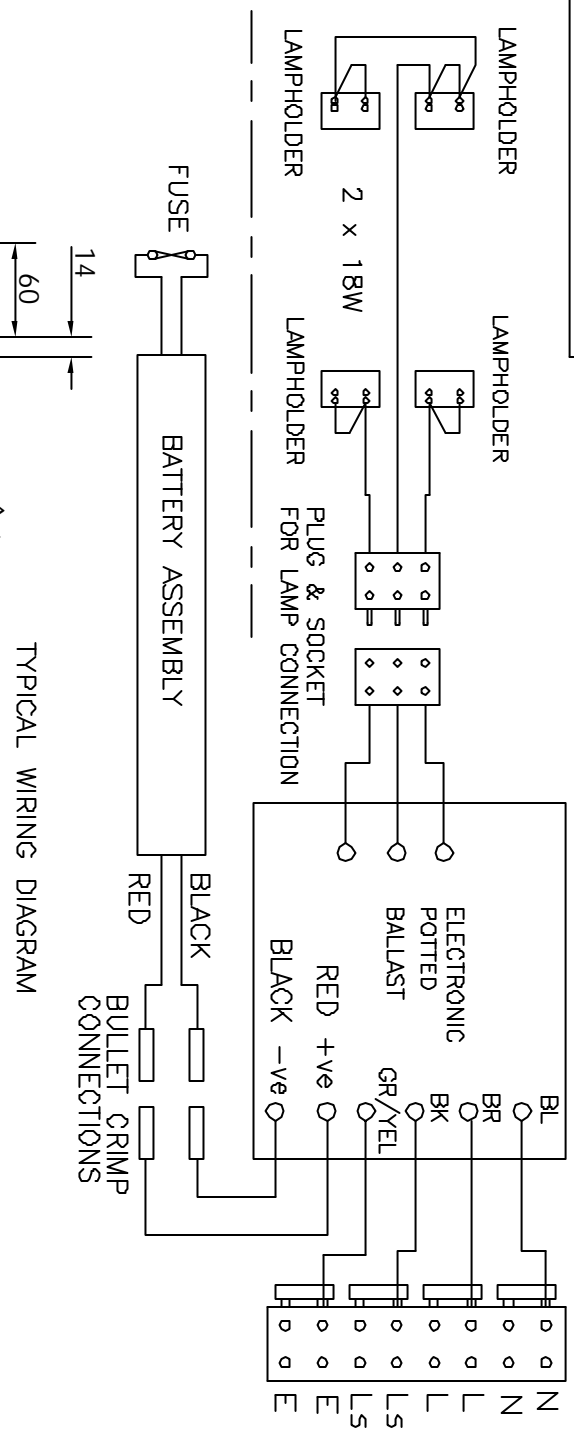


REMOVE ALL BURRS & SHARP EDGES

IF IN DOUBT ASK!

3RD ANGLE PROJECTION



LAMP TYPE	T6	DUST
	AMBIENT TEMPERATURE	TEMPERATURE
2 x 18W T8	-20°C TO +55°C	785°C

NOTES  
 PRODUCT PROTECTION :- EEX d IIC  
 CERTIFICATE No. SIRA00ATEX1021X  
 CODING :- Ex II 2 G D EEX d IIC T6  
 TERMINALS :- UP TO 6mm SQ CONDUCTOR  
 CABLE ENTRIES :- TWO x M20 ENTRIES  
 BODY MATERIAL :- ALUMINIUM LM6 PAINTED SMOKE GREY  
 INGRESS PROTECTION :- IP66/67  
 GLASS & COVER :- TOUGHENED GLASS TUBE WITH ALUMINIUM LM6 GRADE PAINTED SMOKE GREY ENDS  
 VOLTAGE & FREQUENCY :- 220-254V 50/60HZ 110-130V 50/60HZ  
 EXTERNAL BATTERY CONNECTED VIA CABLE GLAND  
 5 CELL 6V 4Ah CELL, 3 HOUR DURATION 1 LAMP

Parts List:

ITEM	QTY	TITLE	DRAWING No.	PARTCODE
1	1	VL51 2FT GLASS ASSEMBLY	VL51 2Ft Assembly	
2	1	VL52A GEAR HOUSING	D191819	
3	1	VL52A Channel Bar 2Ft	V191766H	
4	1	Viscount Battery Assembly	C990895	
5	1	Hawke M20 Cable Gland		
6	1	Certified Blanking plug	A7786	
7	1	M20 Temporary plug	Temporary plug	
8	1	Viscount External Battery Cable	A7902	

CHANGE	MOD BY	DATE
MATERIAL	Aluminium LM6	TOLERANCE
FINISH	Pointed Smoke Grey	SURFACE ROUGHNESS
DIMS. IN	MM	SCALE -

**Victor Lighting**  
 Victor Lighting  
 PO Box 5571  
 Glasgow G52 9AH  
 Scotland  
 Tel:0141 810 9644 Fax:0141 810 9642

WITHOUT OUR PERMISSION THIS DRAWING, WHICH IS OUR COPYRIGHT, MAY NOT BE REPRODUCED OR MADE AVAILABLE TO THIRD PARTIES.  
 AUTHORIZATION IS GIVEN TO ..... TO REPRODUCE THIS DRAWING FOR INTERNAL PURPOSES ONLY.

DRAWING NUMBER/SHEET NUMBER F2537 1 OF 1