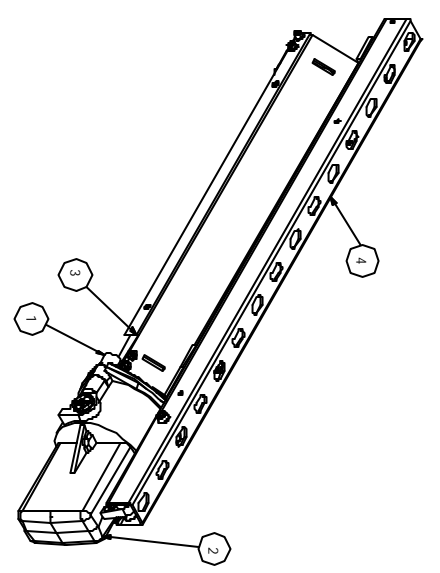
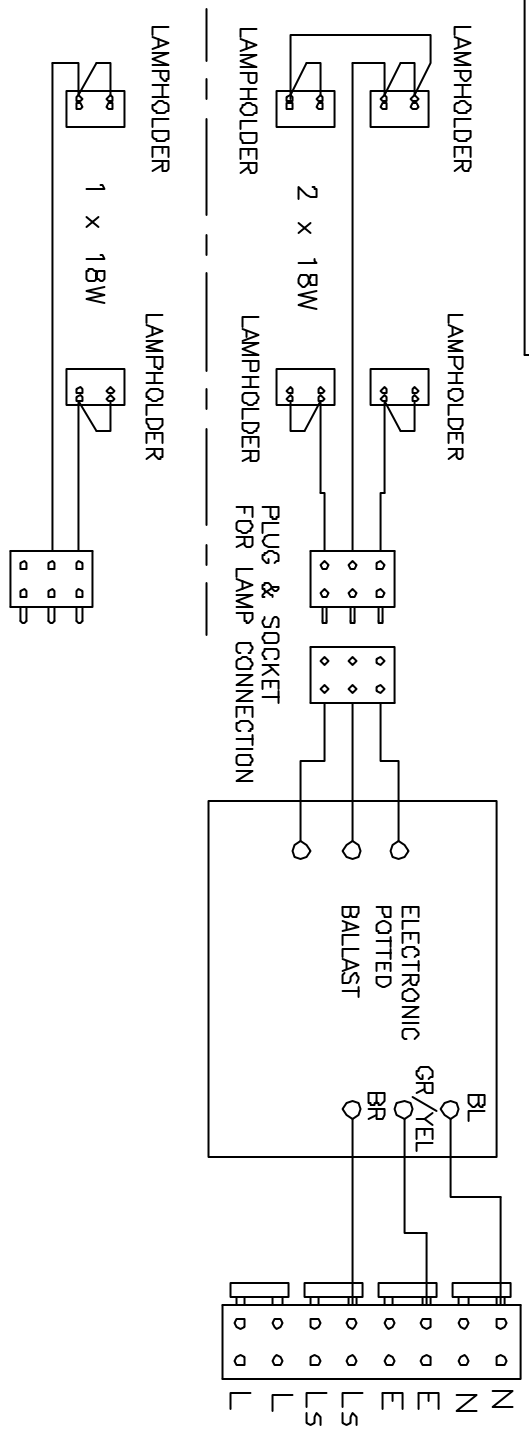


DRAWING NUMBER/SHEET NUMBER
F2502

REMOVE ALL BURRS & SHARP EDGES

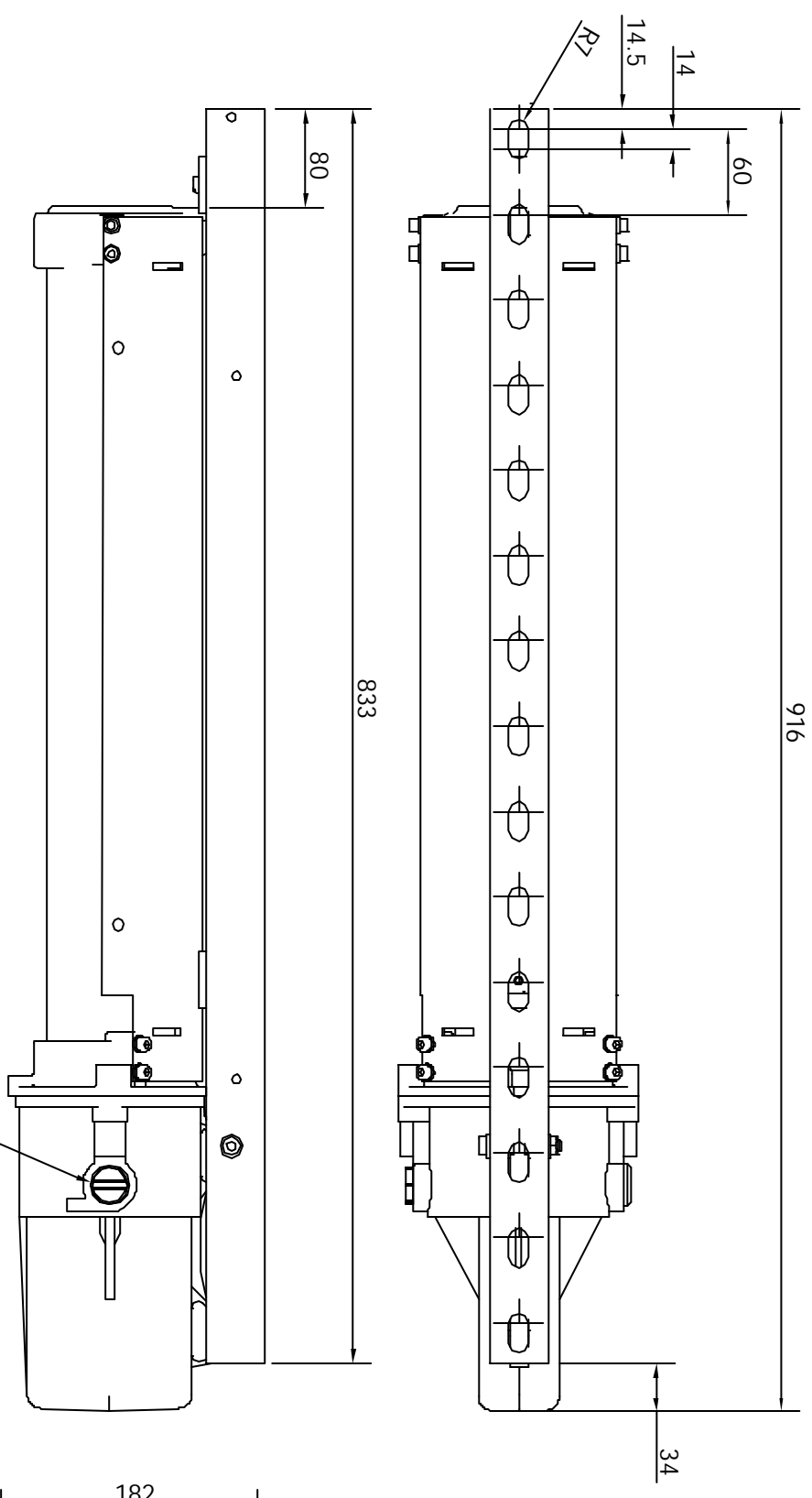
IF IN DOUBT ASK!

3RD ANGLE PROJECTION



| LAMP TYPE | T6 | | DUST TEMPERATURE |
|------------|---------------------|-------------|------------------|
| | AMBIENT TEMPERATURE | TEMPERATURE | |
| 1 x 18W T8 | -20°C TO +55°C | 785°C | |
| 2 x 18W T8 | -20°C TO +55°C | | |

NOTES
 PRODUCT PROTECTION :- EEX d IIC
 CERTIFICATE No. SIRA00ATEX1021X
 CODING :- Ex II 2 G D EEx d IIC T6
 TERMINALS :- UP TO 6mm SQ CONDUCTOR
 CABLE ENTRIES :- TWO x M20 ENTRIES
 BODY MATERIAL :- ALUMINIUM LM6 PAINTED SMOKE GREY
 INGRESS PROTECTION :- IP66/67
 GLASS & COVER :- TOUGHENED GLASS TUBE WITH ALUMINIUM LM6 GRADE PAINTED SMOKE GREY ENDS
 VOLTAGE & FREQUENCY :- 110-254V a.c./d.c 50/60Hz



2 x M20 CABLE ENTRIES
ONE EACH SIDE

Parts List

| ITEM | QTY | TITLE |
|------|-----|----------------------------------|
| 1 | 1 | Viscount 18W Glass Tube Assembly |
| 2 | 1 | Viscount Gear Housing |
| 3 | 1 | Viscount External Reflector |
| 4 | 1 | Viscount 18W Mtg Channel |

| CHANGE | MOD BY | DATE |
|--------|--------|------|
| | | |
| | | |
| | | |
| | | |

Victor Lighting

Victor Lighting
 PO Box 5571,
 Glasgow G52 9AH
 Scotland
 Tel:0141 810 9644 Fax:0141 810 9642

DATE: _____
 APPROVED: _____
 CHECKED: _____
 DRAWN: JTC

WITHOUT OUR PERMISSION THIS DRAWING, WHICH IS OUR COPYRIGHT, MAY NOT BE REPRODUCED OR MADE AVAILABLE TO THIRD PARTIES.
 AUTHORIZATION IS GIVEN TO
 TO REPRODUCE THIS DRAWING FOR INTERNAL PURPOSES ONLY.

MATERIAL: Aluminium LM6
 FINISH: Painted Smoke Grey
 TOLERANCE: _____
 SURFACE ROUGHNESS: _____
 DIMS. IN: MM
 SCALE: -

DRAWING NUMBER/SHEET NUMBER
F2502 1 OF 1