



INCREASED SAFETY TYPE Ex 'e' EMERGENCY MODULAR RECESSIBLE FLUORESCENT LUMINAIRE

APPLICATIONS

- | Zone 1 hazardous gas areas
- | Zone 21 hazardous dust environments
- | Offshore platform accommodation modules
- | General purpose hazardous area lighting
- | Offshore control room lighting where VDU's are present or where low surface brightness is required

CERTIFICATION AND APPROVAL

ATEX Certificate Baseefa05ATEX0236

Ⓔ II2GD EEx eqm II T4 Tamb 55°C

Ambient temperature range:

-40°C to +45°C (insulated)

-40°C to +55°C (non-insulated)

Ingress protection to IP65 to EN60529



FEATURES AND BENEFITS

- | Suitable for various ceiling types
- | Automatic lamp de-energisation on opening
- | Screwless mains terminals
- | Battery management, monitoring and automatic self test
- | Resistant to voltage fluctuations
- | Local switching arrangement as standard
- | Electronic control gear gives 50/60Hz operation, high power factor correction and regulation of lamp output
- | 90 minute emergency duration
- | B15 SOLAS fire rating
- | Lloyds fire rating approval for specific ceiling types supplied on request
- | Emergency inhibition and power off re-start
- | End of life (EOL) protection to IEC 60079-7*

*All Victor Lighting fluorescent luminaires and ballasts are now certified to the requirements of Annex H of the draft standard IEC 60079-7 edition 4.

CATEGORY 2 TYPE Ex 'e' INCREASED SAFETY

TECHNICAL SPECIFICATION

LAMP TYPES

18W & 36W bi-pin fluorescent (T8).
Available in the following configurations: 2 x 18W, 2 x 36W

POWER SUPPLY

220-254V AC/DC.

POWER CONSUMPTION

2 x 18W - 35W
2 x 36W - 70W

BATTERY

Internal Ni-Cd (6V, 4Ah).

EMERGENCY DURATION

90 minutes to EN60598-2-22.
30% of one lamp (18W).
25% of one lamp (36W).

TERMINALS

4 core up to 6mm² max conductors, with looping & through wiring facility.

CABLE ENTRIES

3 x 20mm holes, two at one end, one at the other end.

TEMPERATURE

Gas Environments - T4.
Dust Environments - T95°C.

AMBIENT TEMP RANGE

-40°C to +45°C (insulated)
-40°C to +55°C (non-insulated)

MATERIALS

Enclosure - White polyester painted zinc coated steel body & frame.
Diffuser - Clear polycarbonate.
Reflector - White polyester painted zinc coated steel.
Gasket - Silicone rubber.

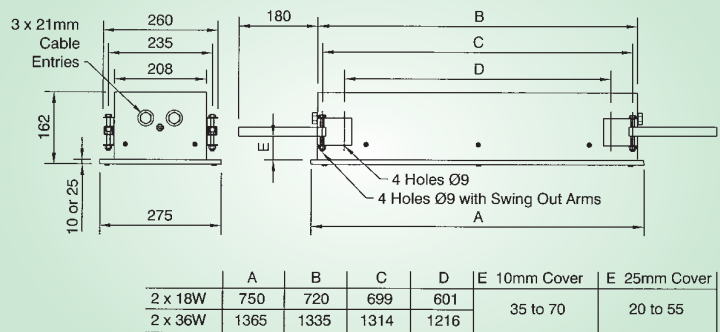
WEIGHT

2 x 18W - 19Kg.
2 x 36W - 26Kg.

SUSPENSION

Standard mounting is fixed side brackets with swing out arms, with provision for drop rod mounting.

DIMENSIONS



Dimensions in millimetres

To calculate photometric values for lighting design, please use the free Victor "Lite Guide" software package. To request your copy, please contact your local Victor agent or use the request form on the website.

ORDERING REFERENCE

Std. Cat Ref.	Wattage	Lamp Type
V78E/218/BI/EM	2x18W	Bi-Pin
V78E/236/BI/EM	2x36W	Bi-Pin

OPTIONS - SUFFIX TO CATALOGUE REF.

/120	Specific voltage (110/130V)
/25	25mm Entries
/LG	Low glare louvre
/PD	Prismatic diffuser
/PC	Plasterboard (solid) ceiling
/3H	3 hour battery duration (Light output - 30% 18W, 25% 36W)
/HEO	High emergency output (36W only, 90 min duration - 45% of emergency lamp)
/NST	High frequency non self testing ballast

ACCESSORIES

There are no accessories for this product