

# FLOODLIGHT VL100

**Victor**  
Lighting



## ZONE 2 TYPE Ex 'n' FLOODLIGHT LUMINAIRE

### APPLICATIONS

- | Zone 2 hazardous gas areas
- | Zone 22 hazardous dust environments
- | Onshore/offshore oil and gas industry
- | Tank farms
- | Security and perimeter lighting
- | Arduous industrial environments

### CERTIFICATION AND APPROVAL

ATEX Certificate No. SIRA 00ATEX 4117

⊕ II 3 GD EEx nR II T3

T = 200°C (See temperature note)

Ambient temperature range:

-50°C to +50°C

(for all variants except narrow beam)

-50°C to +40°C

(for narrow beam only)

Ingress protection to IP66 and IP67

### FEATURES AND BENEFITS

- | Compact design with integral control gear
- | Lightweight and low profile construction
- | Hinged lid assembly for ease of relamping
- | Comprehensive range of lamp options
- | Extensive choice of reflectors
- | Marine grade aluminum main body with epoxy powder coating
- | Galvanized steel stirrup bracket with protractor for elevation angle setting
- | Optional wire guard available
- | Toughened lampglass
- | Ambient temperature range - 50°C to +50°C

# CATEGORY 3 TYPE Ex 'n'

## ORDERING REFERENCE

Std. Cat Ref.	Wattage	Lamp Type	Lampholder	T Class	T °C (Dust)	Ambient °C
V10N/150/MS	150W	HPS & Metal Halide	E40	T3	130	50
V10N/250MS	250W	HPS & Metal Halide	E40	T3	130	50
V10N/250/MV	250W	Mercury Vapour	E40	T3	130	50
V10N/400/MS	400W	HPS & Metal Halide	E40	T3	130	50
V10N/400/MV	400W	Mercury Vapour	E40	T3	130	50
V10N/500/TH	500W	Tungsten Halogen	E40	T3	130	50

## TECHNICAL SPECIFICATION

### LAMP TYPES

150W Tubular - SON  
 250W Tubular - SON, MBI  
 400W Tubular - SON, MBI  
 500W Max - Tungsten Halogen  
 500W Max - GLS

### POWER SUPPLY

220V, 230V, 240V and 250V 50/60Hz  
 250V Max for halogen & GLS

### POWER CONSUMPTION

150W SON/MBI Lamps - 168W circuit watts at 240V 0.8A  
 250W SON/MBI Lamps - 280W circuit watts at 240V 1.4A  
 400W SON/MBI Lamps - 433W circuit watts at 240V 2.2A  
 250W MBF Lamp - 270W circuit watts at 240V 1.35A  
 400W MBF Lamp - 429W circuit watts at 240V 2.1A  
 500W T. Halogen - 500W circuit watts  
 /GLS Lamps at 240V 2.0A

### POWER FACTOR

Greater than 0.85

### TERMINALS

Up to 6mm<sup>2</sup>. Terminals for live, neutral, earth, and looping are provided. Internally earthed.

### CABLE ENTRIES

Two M20 x 1.5, other entries adaptors available on request. To maintain the restricted breathing properties of this enclosure suitable approved cable glands for use with Type n restricted breathing enclosures are required. Victor cable gland, ordering reference IL191692 can be supplied.

### TEMPERATURE

Surface temperature classification T3.  
 Wide and medium reflector -50°C to +50°C  
 Narrow reflector -50°C to +40°C

For dust environments

For Wide & Medium Reflector T = 130°C In Horizontal  
 & T = 120°C In Vertical

For Narrow Reflector T = 135°C In Horizontal  
 & T = 130°C In Vertical

### MATERIALS

Main body - LM6 aluminium alloy (Die Cast).  
 Lampglass - toughened glass.

### WEIGHT

400W SON Lamps - 16Kg

### SUSPENSION

Galvanised steel stirrup bracket with protractor for elevation angle setting.

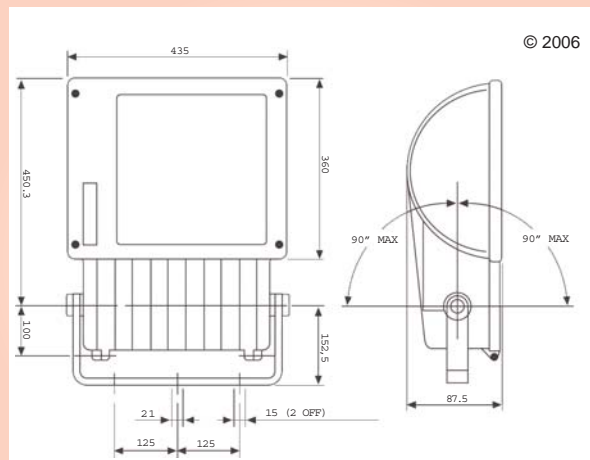
## OPTIONS - SUFFIX TO CATALOGUE REF.

/60 60Hz  
 /M Medium beam reflector

## ACCESSORIES

A range of mounting accessories available on request

## DIMENSIONS



Dimensions in millimetres

The lamp axis must be horizontal and the control gear compartment must be level with or below the lamp. To maintain floodlight 'T' ratings.

To calculate photometric values for lighting design, please use the free Victor "Lite Guide" software package. To request your copy, please contact your local Victor agent or use the request form on the website.