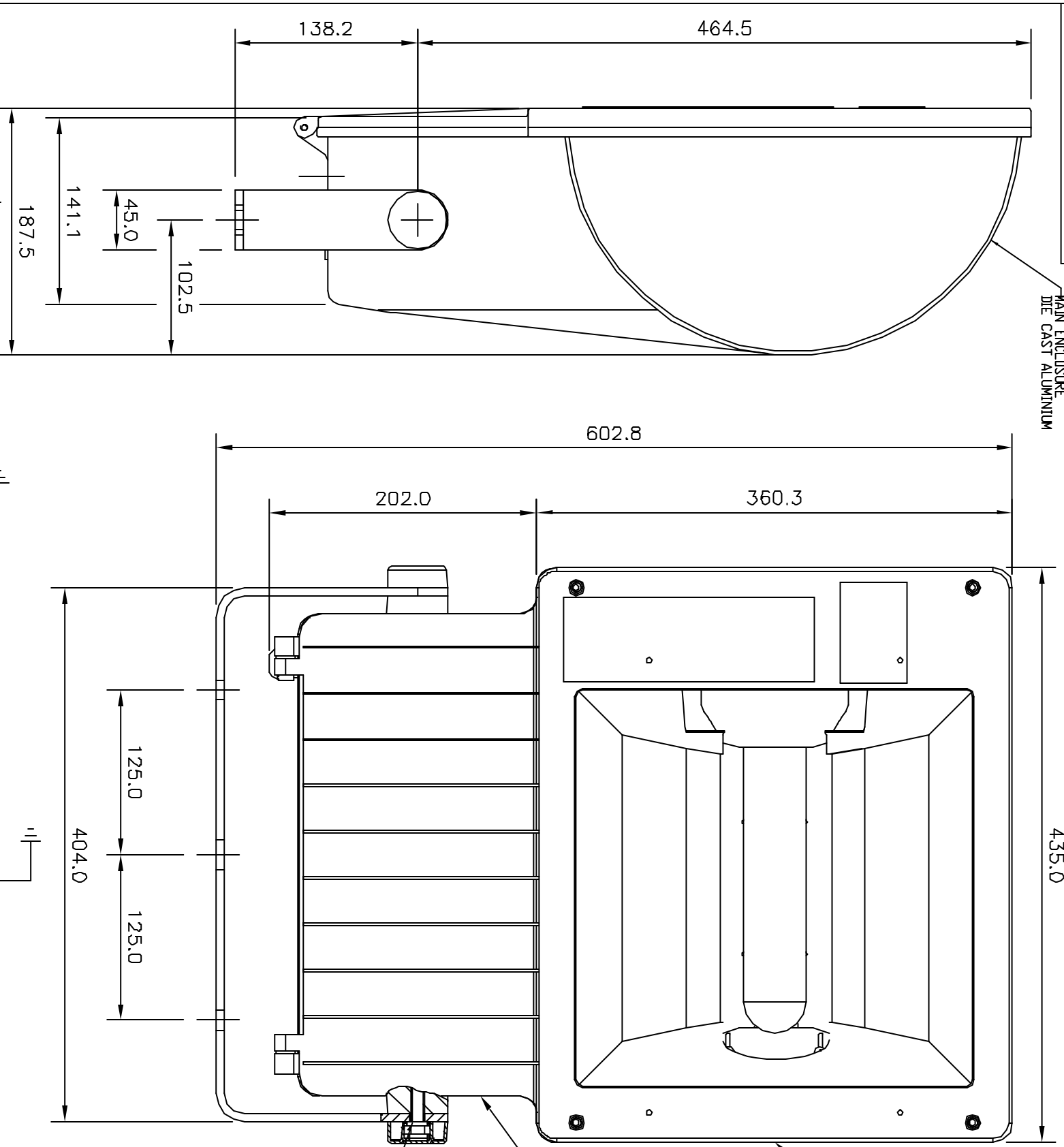


DRAWING NUMBER/SHEET NUMBER
F2475

REMOVE ALL BURRS & SHARP EDGES

IF IN DOUBT ASK!

3RD ANGLE PROJECTION

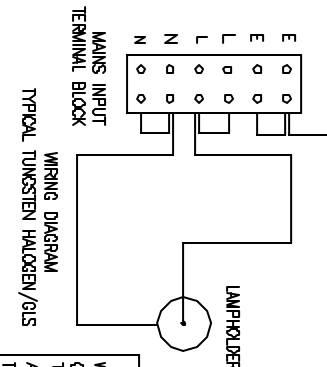
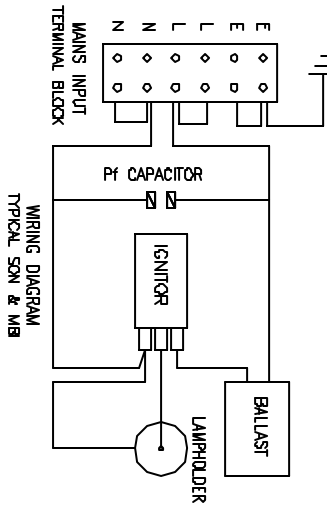
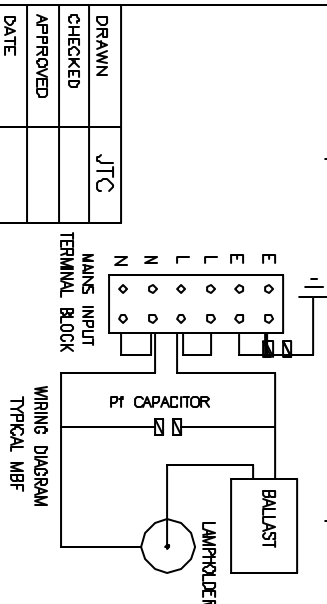


LAMP TYPE	T3 Tamb -90°C TO			DUST TEMPERATURE	INCOMING CABLE TEMP. RISE ABOVE AMBIENT
	WIDE BEAM	NARROW BEAM	MEDIUM BEAM		
150W SON	50°C	40°C	50°C	1200°C	35°C
250W SON/MBI	50°C	40°C	50°C	1200°C	35°C
400W SON/MBI	50°C	40°C	50°C	1200°C	35°C
250W MBFU	50°C	40°C	50°C	1200°C	35°C
400W MBF	50°C	40°C	50°C	1200°C	35°C
500W T/HAL	50°C	40°C	50°C	1200°C	35°C

DISCHARGE LAMPS TO BE TUBULAR IN SHAPE, EXCEPT FOR MBFU

NOTES

PRODUCT PROTECTION :- EEX nR II T3
 CERTIFICATE No. SIRA00ATEX4117
 CODING :- Ex II 3 G D EEX nR II T3
 TERMINALS :- UP TO 6mm SQ CONDUCTOR
 CABLE ENTRIES :- TWO x 21mm Ø HOLES
 INGRESS PROTECTION :- IP66/67
 BODY MATERIAL :- ALUMINIUM LM6 GRADE PAINTED BLACK
 GLASS & COVER :- TOUGHENED FLAT GLASS WITH ALUMINIUM
 LM6 GRADE PAINTED BLACK COVER
 VOLTAGE & FREQUENCY :-
 TUNGSTEN HALOGEN 250V MAX a.c./d.c 50/60Hz
 DISCHARGE 220V, 230V, 240V & 250V 50/60Hz a.c. ONLY
 THE LAMP AXIS MUST BE HORIZONTAL AND THE CONTROL GEAR
 CHAMBER MUST LEVEL WITH OR BELOW THE LAMP CHAMBER. TO
 MAINTAIN THE FLOODLIGHT 'T' RATINGS.



CHANGE	MOD BY	DATE	ISSUE

Victor Lighting

Victor Lighting
 PO Box 5574
 Glasgow G52 9AH
 Scotland
 Tel:0141 810 9644 Fax:0141 810 9642

TITLE
VL100 FLOODLIGHT GA

MATERIAL	TOLERANCE
ALUMINIUM LM6	
FINISH PAINTED BLACK	SURFACE ROUGHNESS

DRAWING NUMBER/SHEET NUMBER F2475 1 OF 1

DATE APPROVED CHECKED DRAWN JTC

WITHOUT OUR PERMISSION THIS DRAWING, WHICH IS OUR COPYRIGHT, MAY NOT BE REPRODUCED OR MADE AVAILABLE TO THIRD PARTIES. AUTHORIZATION IS GIVEN TO REPRODUCE THIS DRAWING FOR INTERNAL PURPOSES ONLY.