

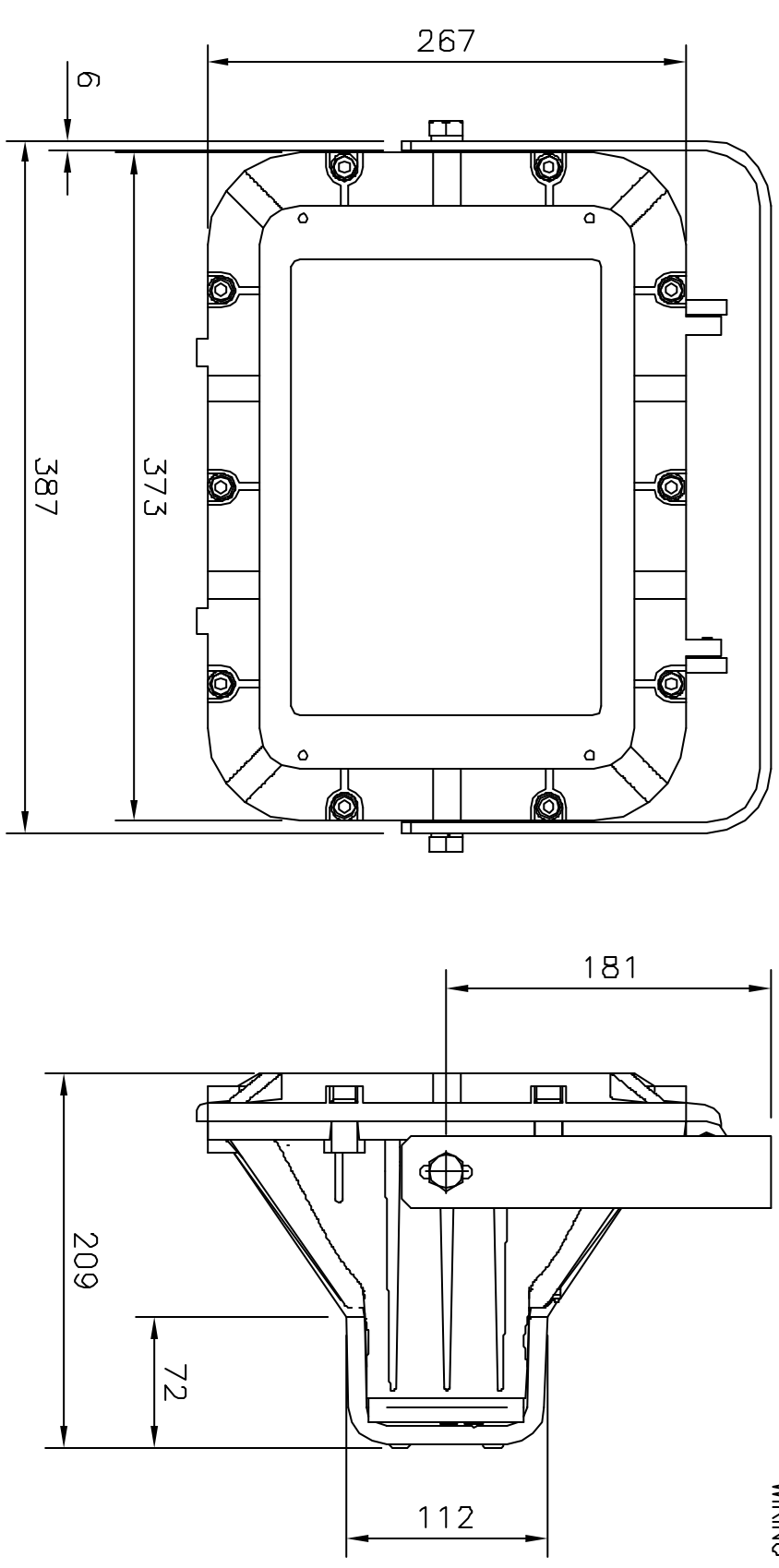
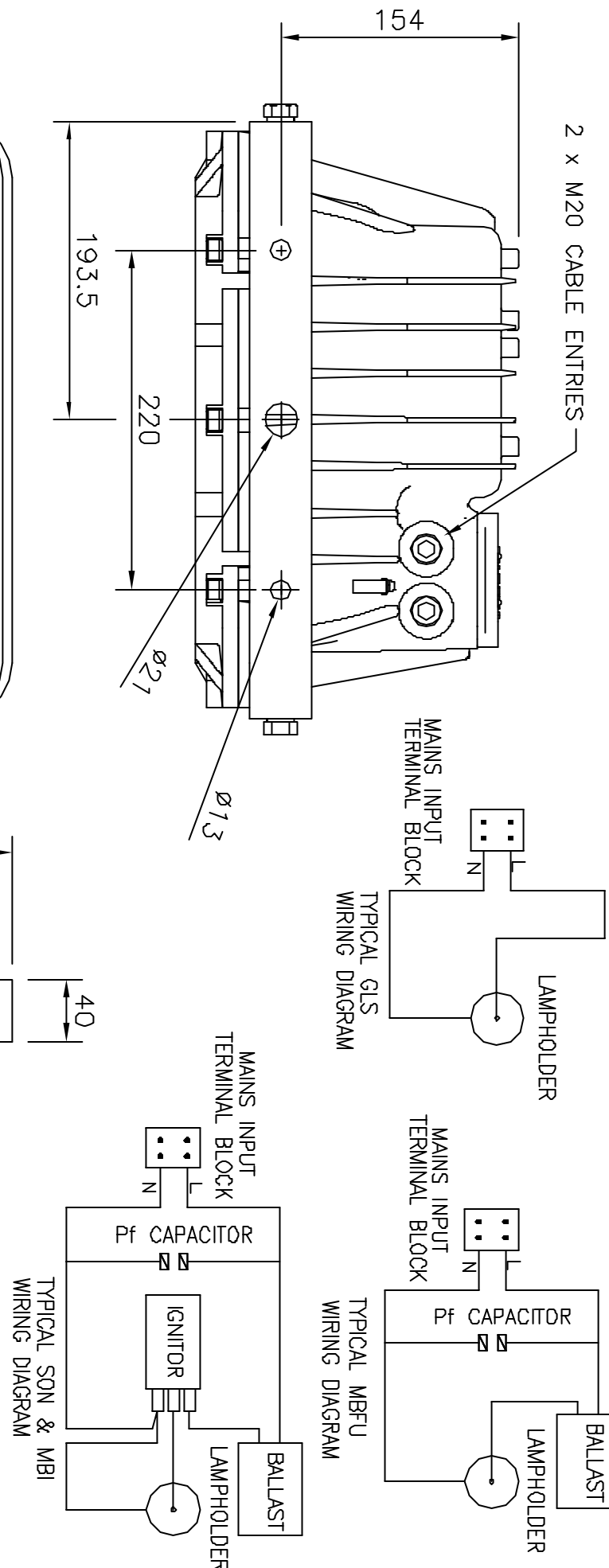
REMOVE ALL BURRS & SHARP EDGES

IF IN DOUBT ASK!

3RD ANGLE PROJECTION

LAMP TYPE	T2	T3	DUST TEMPERATURE
	AMBIENT TEMPERATURE	AMBIENT TEMPERATURE	
50W SON	-	-50°C TO +55°C	T200°C
50W MBFU	-	-50°C TO +55°C	
70W SON	-	-50°C TO +55°C	
80W MBF	-	-50°C TO +55°C	
100W MBI	-50°C TO +30°C	-	
125W MBFU	-	-50°C TO +55°C	
250W T/HAL	-	-50°C TO +30°C	

DISCHARGE LAMPS ARE TO BE TUBULAR IN SHAPE



NOTES

PRODUCT PROTECTION :- EEX de IIB

CERTIFICATE No. SIRAD4ATEX1062

CODING :- Ex II 2 G D EEx de II T(SEE TABLE)

TERMINALS :- UP TO 6mm SQ CONDUCTOR

CABLE ENTRIES :- TWO x M20 ENTRIES

BODY MATERIAL :- ALUMINIUM LM6 PAINTED SMOKE GREY

INGRESS PROTECTION :- IP66/67

GLASS & COVER :- TOUGHENED GLASS WITH ALUMINIUM LM6 GRADE PAINTED SMOKE GREY COVER

VOLTAGE & FREQUENCY :- GLS 250V MAX a.c./d.c 50/60HZ DISCHARGE 220V, 230V, 240V & 250V 50/60HZ a.c. ONLY

CHANGE	MOD BY	DATE	DESCRIPTION

**Victor Lighting**

Victor Lighting  
PO Box 5571,  
Glasgow G52 9AH  
Scotland  
Tel:0141 810 9644 Fax:0141 810 9642

MATERIAL ALUMINIUM LM6

TOLERANCE

TITLE VL65 FLOODLIGHT GEN ASSY

FINISH PAINTED SMOKE GREY

SURFACE ROUGHNESS

DRAWING NUMBER/SHEET NUMBER F2495 1 OF 1

DRAWN	JTC
CHECKED	
APPROVED	
DATE	

REF. DROGS-

WITHOUT OUR PERMISSION THIS DRAWING, WHICH IS OUR COPYRIGHT, MAY NOT BE REPRODUCED OR MADE AVAILABLE TO THIRD PARTIES. AUTHORIZATION IS GIVEN TO REPRODUCE THIS DRAWING FOR INTERNAL PURPOSES ONLY.