



FLAMEPROOF TYPE Ex 'de' WELLGLASS LUMINAIRE

APPLICATIONS

- | Zone 1 hazardous gass areas
- | Zone 21 hazardous dust environments
- | Chemical and pharmaceutical industries
- | Offshore and marine applications
- | Spray paint booths
- | General purpose lighting
- | QL luminaire suitable for inaccessible locations

CERTIFICATION AND APPROVAL

ATEX Certificate No. SIRA01ATEX1049

CE Ex II 2GD EEx de II C T6*

Ambient temperature range:
-50°C to +68°C

Ingress protection to IP66/IP67

GOST Approved

FEATURES AND BENEFITS

- | Low ambient temperature range from -50°C to +68°C
- | Maintenance-Free option available with Philips QL lamps **
- | Extensive range of lamps for use with the maintained luminaire.
- | Lightweight and low profile construction.
- | QL option gives instant restart and good colour rendering

*Refer to matrix below for lamp, T rating & orientation.

**Maintenance free refers to the lack of inspection required for flameproof paths (QL lamps only)

CATEGORY 2 TYPE Ex 'd' FLAMEPROOF

ORDERING REFERENCE

Std. Cat Ref.	Wattage	Lamp Type	Lampholder	T Class	T °C (Dust)	Ambient °C
TI8D/050/HS	50W	HPS	E27	T4	110	60
TI8D/050/MV	50W	Mercury Vapour	E27	T4	120	60
TI8D/070/HS	70W	HPS & Metal Halide	E27	T4	110	60
TI8D/080/MV	80W	Mercury Vapour	E27	T4	120	60
TI8D/125/MV	125W	Mercury Vapour	E27	T4	123	48
TI8D/100/GL	100W	GLS	E27	T4	108	68
TI8D/200/GL	200W	GLS	E27	T4	115	55
TI8D/113/CF	1x10/13W	Compact Fluorescent	G24q	T4	85	60
TI8D/118/CF	1x18W	Compact Fluorescent	G24q	T4	85	60
TI8D/126/CF	1x26W	Compact Fluorescent	G24q	T4	85	60
TI8D/213/CF	2x10/13W	Compact Fluorescent	G24q	T4	85	60
TI8D/218/CF	2x18W	Compact Fluorescent	G24q	T4	85	60
TI8D/226/CF	2x26W	Compact Fluorescent	G24q	T4	85	60
TI8D/055/QL	55W	QL	QL	T4	93	40
TI8D/085/QL	85W	QL	QL	T4	97	40

TECHNICAL SPECIFICATION

LAMP TYPES

Philips 55W & 85W QL, 50W & 70W SON 70W
 MBI 50W, 80W & 125W MBF,
 200W Max GLS E27
 Single & Twin 10/13W, 18W & 26W Compact Fluorescent

POWER SUPPLY

QL Lamps 200V - 240V 50/60Hz AC/DC
 as Standard
 110V - 130V 50/60Hz AC/DC
 Optional
 SON, MBI 220V, 230V, 240V & 254V,
 & MBF Lamps 50Hz or 60Hz
 GLS 250V Max
 Compact Fluorescent 220V - 250V 50/60Hz AC
 and 200V - 310V DC DC

POWER CONSUMPTION

50W SON - 60W 55W QL - 53W
 70W SON - 80W 85W QL - 80W 200W GLS - 200W
 70W MBI - 80W 80W MBF - 90W
 100W MBI - 120W 125W MBF - 140W 2X 26W CFL - 50W

POWER FACTOR

Better than 0.95 for QL & Compact Fluorescent Luminaire
 Better than 0.85 for High Intensity Discharge Luminaire

TERMINALS

Up to 6mm². Terminals for live, neutral, earth, and loop in/out are provided. Internally earthed. External earth provided.

CABLE ENTRIES

Two M20 x 1.5 entries as Standard with an option for two M25 x 1.5 entries. Other cable entries available on request. An approved cable gland must be used to maintain the IP rating.

TEMPERATURE

Refer to matrix above for maximum and minimum ambient temperature for lamp, T rating & orientation. The VL38 is approved and certified for safe use at temperatures down to -50°C. Due to the current lamp technology Victor Lighting can not give any guarantee on lamp performance at these extreme low temperatures. Please contact Victor Lighting technical department for further details.

MATERIALS

Main body - Marine grade aluminium alloy with full epoxy powder coating as standard.
 Borosilicate glass.

WEIGHT

HID & QL Luminaire 10.0 kg
 GLS & Compact Fluorescent 7.5 kg

SUSPENSION

Mounting supplied with luminaire is for pendant operation suitable for two Ø 10mm fasteners on 275mm centres. Optional stirrup mounting available for wall/directional applications. Part No. ST18D-00004

OPTIONS - SUFFIX TO CATALOGUE REF.

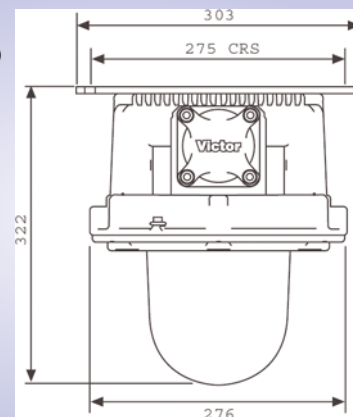
/60	60Hz
/120	120V - QL lamps only
/M25	M25 Entries
/S	Stirrup mounted
/SLC	Sealed lamp chamber - Maintenance free (QL version)
/ABR	Amber glass lens
/BBR	Blue glass lens
/GBR	Green glass lens
/RBR	Red glass lens
/YBR	Yellow glass lens 120V - QL lamps only

ACCESSORIES

Description	Part No.
Stirrup mount bracket	ST18D-00001
Wire Guard	ST18D-00002
External Reflector	ST18D-00003

DIMENSIONS

Note Coloured glass (red, blue, yellow, amber & green) available as optional extra for all lamps up to a maximum of 100W.
 Wire Guard and Stirrup mounting Brackets available as optional extras.



Dimensions in millimetres

To calculate photometric values for lighting design, please use the free Victor "Lite Guide" software package. To request your copy, please contact your local Victor agent or use the request form on the website.