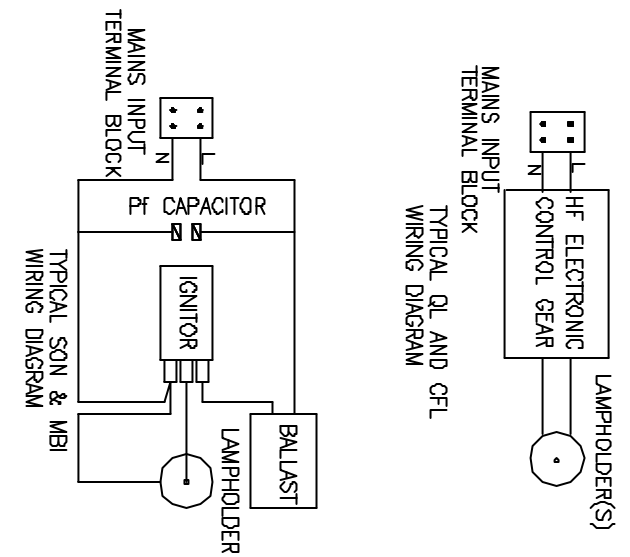
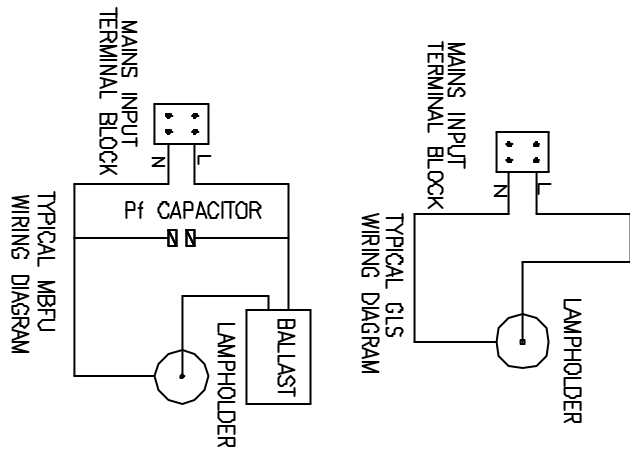
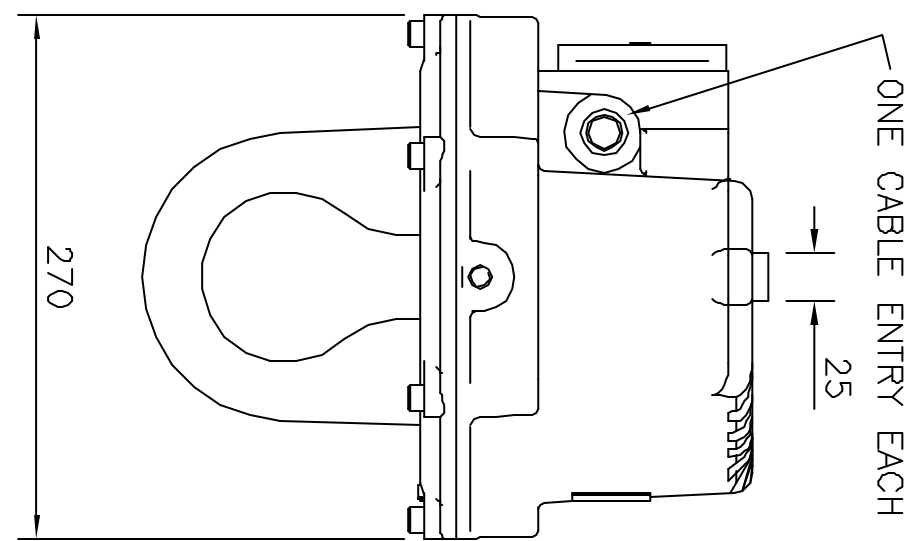
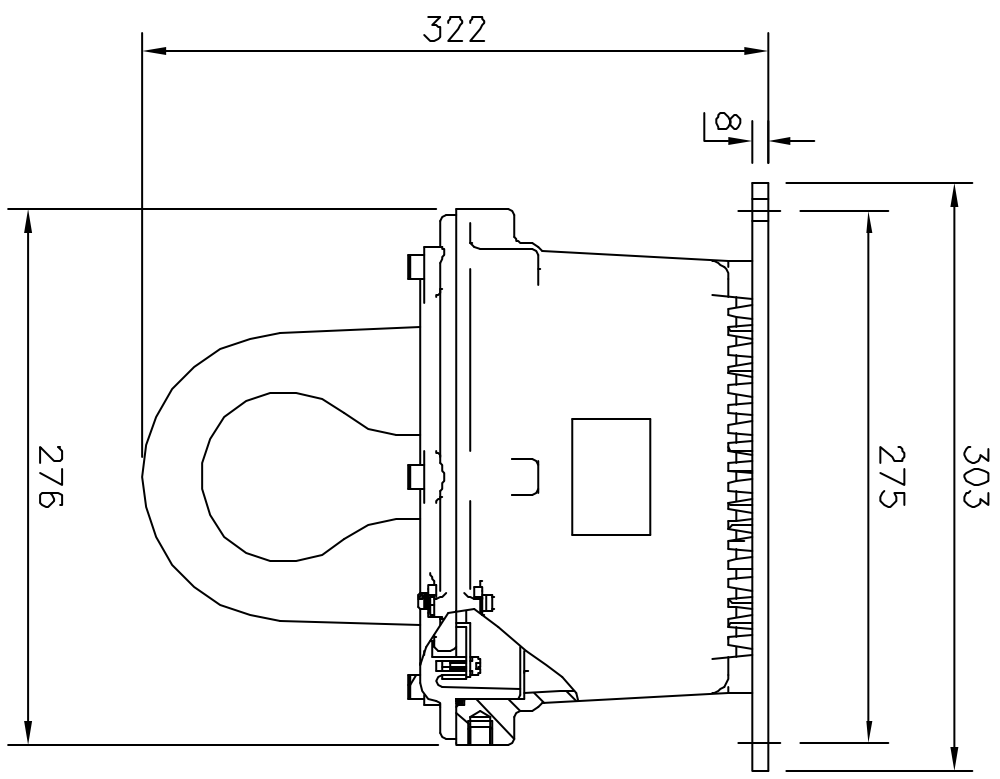
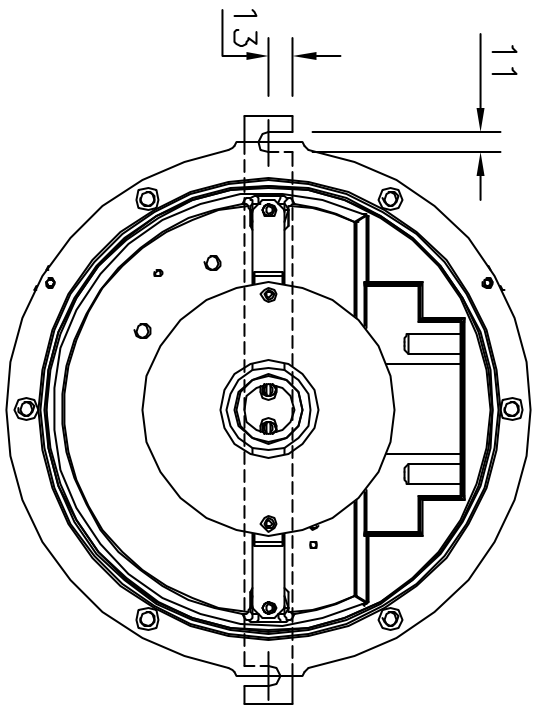


REMOVE ALL BURRS & SHARP EDGES

IF IN DOUBT ASK!

3RD ANGLE PROJECTION

VL38 WELLGLASS LUMINAIRE - GLS LAMP VARIANT



LAMP TYPE	T3	T4	T5	T6	DUST TEMPERATURE	INCOMING CABLE TEMP. RISE ABOVE AMBIENT
50W SON	-	60°C	50°C	35°C	50°C	37°C
70W SON	-	60°C	50°C	35°C	50°C	37°C
50W MBF	60°C	60°C	35°C	20°C	60°C	39°C
80W MBF	80°C	60°C	35°C	20°C	60°C	39°C
125W MBF	48°C	48°C	N/A	N/A	75°C	47°C
70W MBI	-	60°C	50°C	35°C	50°C	37°C
100W MBI	50°C	50°C	38°C	23°C	60°C	45°C
55W QL	-	63°C	63°C	53°C	30°C	15°C
BSW QL	-	57°C	57°C	55°C	40°C	23°C
100W GLS MAX	-	68°C	60°C	45°C	40°C	27°C
200W GLS MAX	55°C	55°C	40°C	25°C	60°C	35°C
1 x 9W CFL	-	60°C	60°C	55°C	25°C	18°C
1 x 13W CFL	-	60°C	60°C	55°C	25°C	18°C
1 x 18W CFL	-	60°C	60°C	55°C	25°C	18°C
1 x 26W CFL	-	60°C	60°C	55°C	25°C	18°C
2 x 9W CFL	-	60°C	60°C	55°C	25°C	18°C
2 x 13W CFL	-	60°C	60°C	55°C	25°C	18°C
2 x 18W CFL	-	60°C	60°C	55°C	25°C	18°C
2 x 26W CFL	-	60°C	60°C	55°C	25°C	18°C

DISCHARGE LAMPS CAN BE ELLIPTICAL OR TUBULAR IN SHAPE

NOTES

PRODUCT PROTECTION :- EEX de II T6
 CERTIFICATE No. SIRA01ATEX1049
 CODING :- Ex II 2 G D EEx de II (SEE TABLE)
 TERMINALS :- UP TO 8mm SQ CONDUCTOR
 CABLE ENTRIES :- TWO x M20 ENTRIES
 INGRESS PROTECTION :- IP66/67
 BODY MATERIAL :- ALUMINIUM LM6 GRADE PAINTED SMOKE GREY GLASS & COVER :- TOUGHENED WELLGLASS WITH ALUMINIUM LM6 GRADE PAINTED SMOKE GREY COVER
 VOLTAGE & FREQUENCY :- GLS 250V MAX a.c./d.c 50/60Hz
 DISCHARGE 220V, 230V, 240V & 250V 50/60Hz a.c. ONLY
 COMPACT FLUORESCENT 220 - 250V a.c./d.c 50/60Hz
 QL LAMP 110V -130V a.c./d.c 50/60Hz
 220V - 250V a.c./d.c 50/60Hz

CHANGE	NO	MOD BY	DATE

Victor Lighting

Victor Lighting
 PO Box 5571,
 Glasgow G52 9AH
 Scotland
 Tel:0141 810 9644 Fax:0141 810 9642

TITLE
 VL38 PENDANT WELLGLASS GA

DRAWN	JTC
CHECKED	
APPROVED	
DATE	

WITHOUT OUR PERMISSION THIS DRAWING, WHICH IS OUR COPYRIGHT, MAY NOT BE REPRODUCED OR MADE AVAILABLE TO THIRD PARTIES. AUTHORIZATION IS GIVEN TO REPRODUCE THIS DRAWING FOR INTERNAL PURPOSES ONLY.

MATERIAL	ALUMINIUM LM6	TOLERANCE	
FINISH	PAINTED SMOKE GREY	SURFACE ROUGHNESS	
DIMS. IN	MM	SCALE	-

DRAWING NUMBER/SHEET NUMBER
 F2464 1 OF 1