

## FLAMEPROOF TYPE Ex 'de' FLOODLIGHT

### APPLICATIONS

- | Zone 1 hazardous gas areas

---

- | Zone 21 hazardous dust environments

---

- | Onshore/offshore oil and gas industry

---

- | Tank farms

---


- | Security and perimeter lighting

---

- | Arduous industrial environments

### CERTIFICATION AND APPROVAL

ATEX Certificate Baseefa058ATEX0228

 II 2 GD EEx de IIB T\*  
 Ambient temperature range:  
 $-20^{\circ}\text{C} \leq T_{\text{amb}} \leq +^{\circ}\text{C}$   
 (See details of T ratings, lamps and ambient temperature variants)

Ingress protection to IP66 and IP67

### FEATURES AND BENEFITS

- | Excellent Photometrics from narrow or wide beam patterns

---

- | Floodlight with integral control gear

---

- | Extensive lamp options
  - | 150W/250W/400W, MBI-T
  - | 150W/250W/400W, SON-T
  - | up to 500W Tungsten Halogen

---

- | Twin arc tube lamps

---

- | Captive front cover bolts

---

- | Hinged cover

---

- | Ex 'e' terminal chamber as standard

# CATEGORY 2 TYPE Ex 'd' FLAMEPROOF

## ORDERING REFERENCE

Std. Cat Ref.	Wattage	Lamp Type	Lampholder	T Class	T °C (Dust)	Ambient °C
64ED/150/MS	150W	HPS & Metal Halide	E40	T4	128	70
64ED/250/MS	250W	HPS & Metal Halide	E40	T3	145	70
			E40	T4	128	55
64ED/400/MS	400W	HPS & Metal Halide	E40	T3	160	55
64ED/500/TH	500W	Tungsten Halogen	E40	T3	175	55

## TECHNICAL SPECIFICATION

### LAMP TYPE

SON/T 400W, 250W, 150W.  
 MBI-T 400W, 250W and 150W  
 MBFU 400W and 250W.  
 Tungsten Halogen 500W.

### POWER SUPPLY

220V, 230V, 240V or 254V 50Hz available via a multi-tapped ballast.  
 All luminaires factory set to 240V 50Hz. 60Hz versions also available.

### POWER FACTOR

Better than 0.85

### TERMINALS

Suitable for looping up to 6mm<sup>2</sup> conductors. Internal and External earth fitted as standard.

### CABLE ENTRIES

Two entry terminal box with M20 x 1.5 tapping, other entries available on request.

### MATERIALS

Main Body - LM6 aluminium with epoxy paint finish as standard.  
 Lampglass - Toughened soda lime glass plate.  
 External fasteners - Stainless steel.

### WEIGHT

Discharge lamp versions - 31.0Kg.  
 Tungsten halogen lamp versions - 26.0Kg

### MOUNTINGS

Stirrup bracket pre-drilled with 2 holes 13mm diameter. Complete with locking and aiming quadrant.

### BEAM PATTERNS

Narrow or wide beam patterns available. Patterned or plain reflectors combined with forward and rear lamp positions provide the beam pattern options. MBFU lamps must be used in the forward lamp position for wide beam patterns.

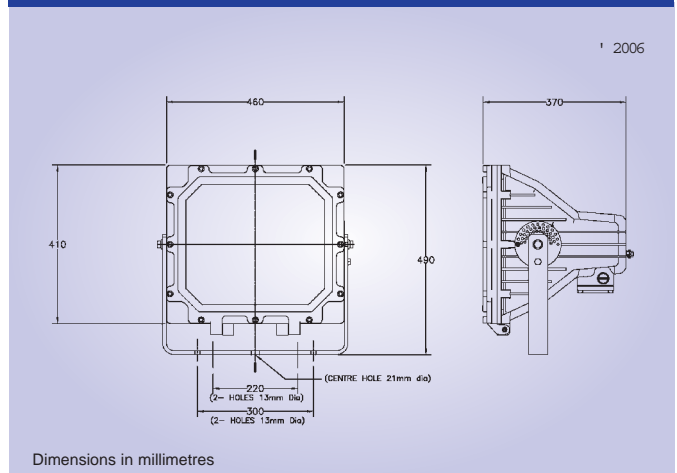
## OPTIONS - SUFFIX TO CATALOGUE REF.

<b>/60</b>	60Hz
<b>/M25</b>	M25 Entries
<b>/N</b>	Narrow beam reflector

## ACCESSORIES

Description	Part No.
Pole mount bracket	S6428-0001
Anti-glare shield (cannot be used with wire guard)	S6428-0002
Wire guard (cannot be used with anti-glare shield)	S6428-0003

## DIMENSIONS



To calculate photometric values for lighting design, please use the free Victor "Lite Guide" software package. To request your copy, please contact your local Victor agent or use the request form on the website.