

# EXCALIBUR VL19E



## INCREASED SAFETY TYPE Ex 'e' FLUORESCENT LUMINAIRE

### APPLICATIONS

- | Zone 1 hazardous gas areas
- | Zone 21 hazardous dust environments
- | Offshore platforms
- | FPSO and FSO vessels
- | Distilleries and process areas
- | Gas pumping stations
- | General purpose hazardous area lighting

### CERTIFICATION AND APPROVAL

ATEX Certificate BAS00ATEX2190

Ⓔ II2GD EEx em II T4 T100°C

Ambient temperature range:  
-35°C to +55°C

Ingress protection to IP66 and IP67

### FEATURES AND BENEFITS

- | Proven ingress protection, track record second to none
- | Mono pin or bi-pin lamp options
- | Voltage versatility from HF electronic control gear  
High voltage 220V to 254V AC/DC  
Low voltage 110V to 130V AC/DC
- | Over-voltage protection to 380v for 60 seconds
- | Cassette relamping
- | Rugged and low profile
- | T8 mono pin or T8 and T12 bi-pin lamps
- | End of life (EOL) protection to IEC 60079-7\*

\* All Victor Lighting fluorescent luminaires and ballasts are now certified to the requirements of Annex H of the draft standard IEC 60079-7 edition 4.



# CATEGORY 2 TYPE Ex 'e' INCREASED SAFETY

## TECHNICAL SPECIFICATION

### LAMP TYPES

Mono pin - T8. 18/20W (600mm luminaire) and 36/40W (1200mm luminaire) 'cold start' with Fa6 caps.

Bi-pin - T8. 18/20W (600mm luminaire) and 36/40W (1200mm luminaire) with G13 caps.

### POWER SUPPLY

High voltage 220V-254V AC/DC 47/63Hz.  
Low voltage 110V-130V AC/DC 47/63Hz.

### POWER CONSUMPTION

2 x 18W lamps - 37W  
2 x 36W lamps - 69W

### POWER FACTOR

Better than 0.95.

### TERMINALS

Suitable for conductors up to 6mm<sup>2</sup>.  
Terminals for live, neutral, earth, and looping are provided.  
Internal earth on gland entry plate. External earth is a brass M6 stud.

### CABLE ENTRIES

Two x M20 threaded entries supplied with 1 x transit plug and 1 x Ex e blanking plug.

### TEMPERATURE

Surface temperature classification - T4.  
Ambient temperature range -35°C to +55°C.

### MATERIALS

Control Gear Housing - Polycarbonate with silicone rubber gaskets.  
Lamp Envelope - Polycarbonate end mouldings and extruded tube.  
Reflector - Marine grade stainless steel.  
External Fasteners - Stainless steel.

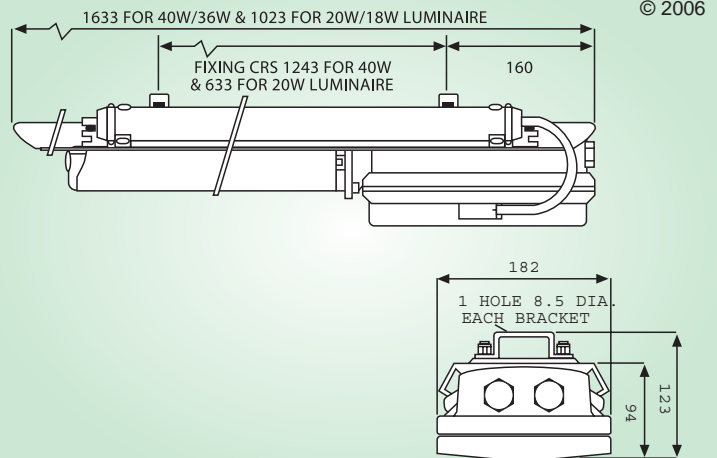
### WEIGHT

18/20W luminaire - 6.3kg.  
36/40W luminaire - 7.8kg.

### SUSPENSION

Standard via two saddle brackets. Optional ceiling, wall, pole mounting brackets, and eye bolts are also available on request. The luminaire may be mounted in any attitude.

## DIMENSIONS



Dimensions in millimetres

To calculate photometric values for lighting design, please use the free Victor "Lite Guide" software package. To request your copy, please contact your local Victor agent or use the request form on the website.

## ORDERING REFERENCE

Std. Cat Ref.	Wattage	Lamp Type
EXCE/218/BI	2x18W	Bi-Pin
EXCE/236/BI	2x36W	Bi-Pin
EXCE/218/MO	2x18W	Mono-Pin
EXCE/236/MO	2x36W	Mono-Pin

## OPTIONS - SUFFIX TO CATALOGUE REF.

/120	Specific voltage (110/130V)
/M25	M25 Entries
/T	Through wiring
/SC	Screwed connection terminal block

## ACCESSORIES

Description	Part No.
Ceiling mount bracket	SEXCE-00001
Pole mount bracket (35-40mm)	SEXCE-00002
Pole mount bracket (40-50mm)	SEXCE-00003
Pole mount bracket (50-60mm)	SEXCE-00007
Pole mount bracket (60-70mm)	SEXCE-00005
M8 eye bolt	SEXCE-00008
Wall bracket	SEXCE-00009
Wire guard s/s (600mm)	SEXCE-00011
Wire guard s/s (1200mm)	SEXCE-00010