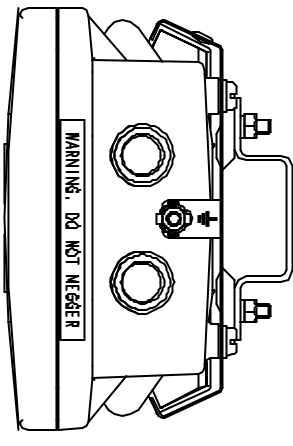


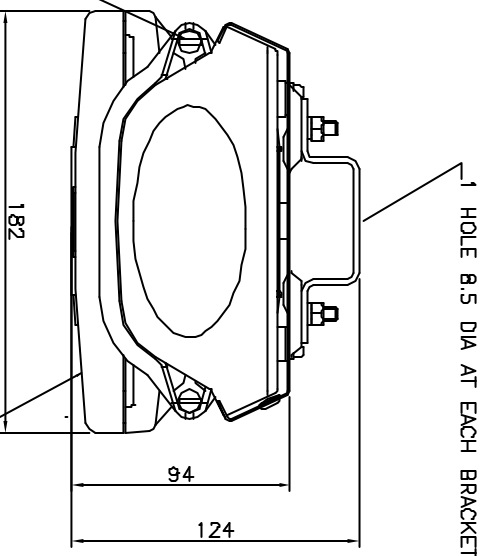
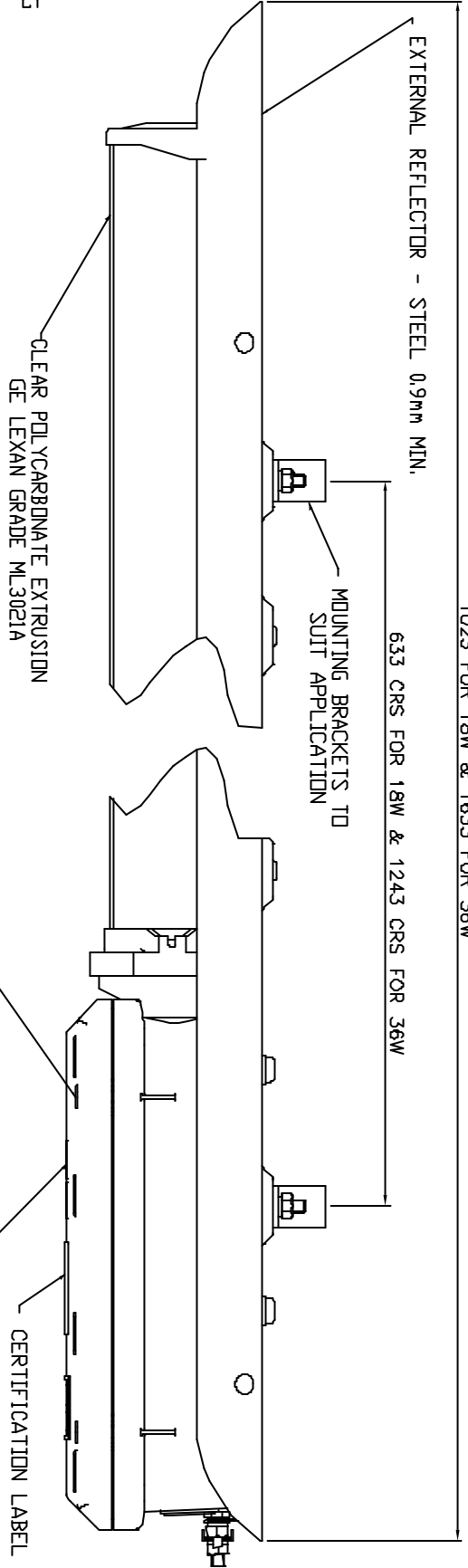
REMOVE ALL BURRS & SHARP EDGES

IF IN DOUBT ASK!

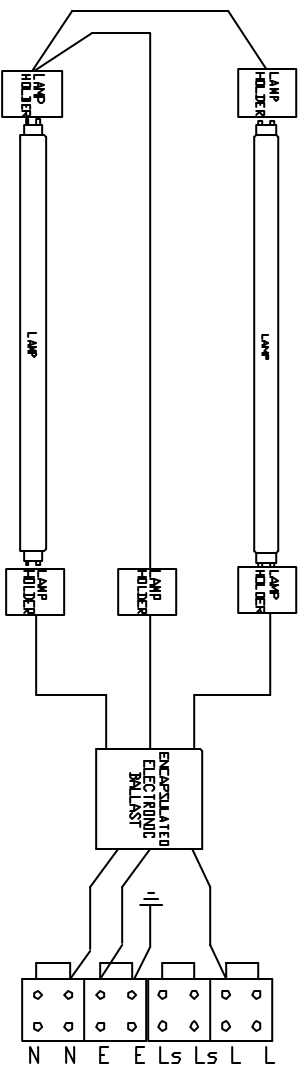
3RD ANGLE PROJECTION



VIEW ON CABLE ENTRY SIDE OF BALLAST HOUSING



1023 FOR 18W & 1633 FOR 36W



TYPICAL WIRING DIAGRAM

NOTES:  
 PRODUCT PROTECTION: EEX em II T4  
 CERTIFICATE No: BAS00ATEX2190  
 CODING: EX II 2GD EEX em IIC T4 -35C to +55C  
 TERMINALS : UP TO 6MM SQ.  
 CABLE ENTRIES : TWO X M20 ENTRIES  
 INGRESS PROTECTION : IP66/67

CATALOGUE REF.	DESCRIPTION	WATTAGE	LAMP	VOLTAGE	FREQUENCY
EXCE/218/BI	EXCALIBUR VL19E	2 x 18W	BI PIN	220 - 277V	50-60Hz
EXCE/236/BI		2 x 36W			
EXCE/218/BI/120		2 x 18W			
EXCE/236/BI/120		2 x 36W			

DRAWN	JTC
CHECKED	JTC
APPROVED	JTC
DATE	21/02/06

WITHOUT OUR PERMISSION THIS DRAWING, WHICH IS OUR COPYRIGHT, MAY NOT BE REPRODUCED OR MADE AVAILABLE TO THIRD PARTIES. AUTHORIZATION IS GIVEN TO REPRODUCE THIS DRAWING FOR INTERNAL PURPOSES ONLY.

CHANGE	DESCRIPTION	DATE	BY	APP'D

**Victor Lighting**

Victor Lighting  
 388 Hillington Road,  
 Glasgow G52 4BL  
 Scotland  
 Tel: 0141 810 9844 Fax: 0141 810 9842

TITLE  
 VL19E EXCALIBUR  
 DRAWING NUMBER/SHEET NUMBER  
 F2280