

Explosion Proof Glands

Steel, Brass & Aluminium Backnuts (Locknuts)

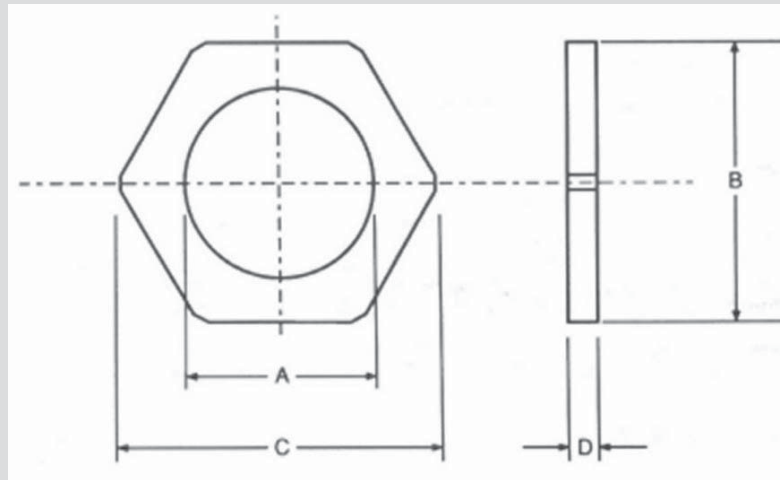


Features & Benefits

- > Used to secure cable gland to the equipment where entry hole is not tapped
- > Brass backnuts recommended for most corrosive environments
- > Aluminium backnuts should be used with aluminium glands
- > Steel locknuts are primarily for dry, low humidity environments



Steel, Brass & Aluminium Backnuts



Gland Details

Brass	Design number		ISO entry thread A mm	Across flats dimension B mm	Across corners dimension C mm	Thickness dimension D mm
	Steel	Aluminium				
429AA-51	439AA-51	459AA-51	16	22.0	24.7	3.4
429AA-53	439AA-53	459AA-53	20	25.5	29.0	3.4
429AA-55	439AA-55	459AA-55	25	32.0	35.8	3.4
429AA-56	439AA-56	459AA-56	32	41.0	45.2	3.4
429AA-57	439AA-57	459AA-57	40	50.0	56.7	4.2
429AA-59	439AA-59	459AA-59	50	60.0	65.7	4.2
429AA-61	439AA-61	459AA-61	63	75.0	82.7	6.6
429AA-63	439AA-63	459AA-63	75	85.0	94.7	9.2
429AA-69	439AA-69	459AA-69	85	98.0	108.5	9.2