

# Explosion Proof Glands

## Nylon EEx e II Gland 403AT Series



### Application

- > For circular unarmoured cables

### Features & Benefits

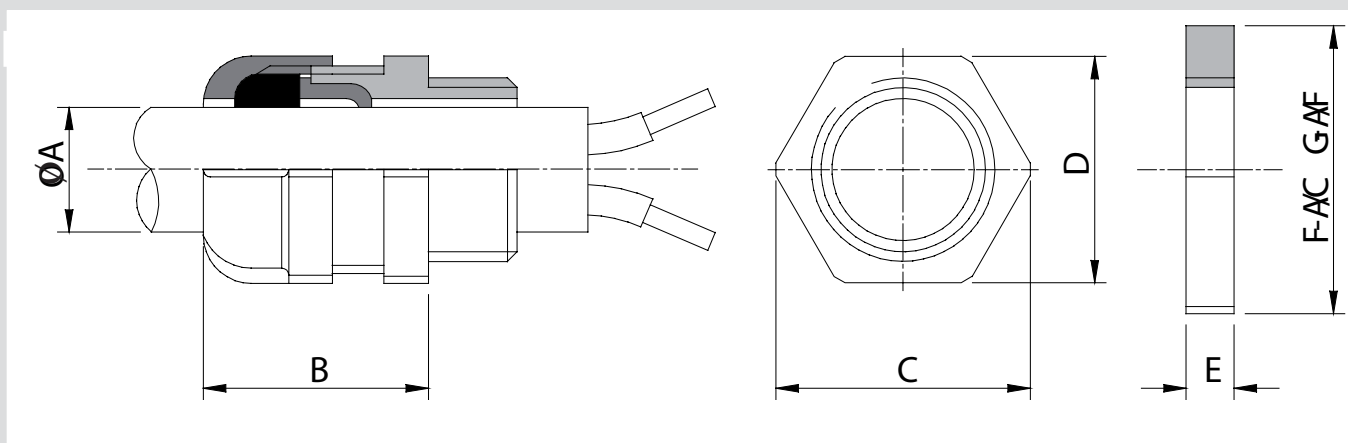
- > Nylon indoor and outdoor cable gland for use in hazardous areas
- > Suitable for circular unarmoured cables with extruded oversheath
- > Self extinguishing, flame retardant and halogen-free
- > Achieves IP66 and IP68 (10 bar) seal onto cable and to enclosure with suitable sealing washer or thread sealant
- > Suitable for most climatic conditions – weatherproof and waterproof
- > Supplied with nylon locknut

### Technical Data

- > Certified II 2GD, EEx e II under ATEX directive 94/9/EC.
- > Certificate number LCIE97ATEX6007X.
- > Service temperature range –20°C to +80°C.
- > May be used in:
  - Zones 0, 1 & 2 with EEx ia IIA, B & C equipment
  - Zones 1 & 2 with EEx ib IIA, B & C equipment
  - Zones 1 & 2 with EEx e II equipment
  - Zones 1 & 2 with EEx p II equipment
  - Zone 2 with EEx nA II equipment
  - Zones 21 & 22 with EEx tD II equipment



# Nylon EEx e II Gland



## Gland Details

Gland References & Thread Sizes			Cable Dia. 'A' mm		Gland Dimensions, mm			Nut Dimensions, mm		
Basic Size	Metric		Min	Max	Approx. Length 'B'	Hexagon Size		Thickness 'E'	Hexagon Size	
	Design No.	Thread Size				A/C 'C'	A/F 'D'		A/C 'F'	A/F 'G'
16	403AT51	M16 × 1.5	5	8	22	20.9	19	5	24.2	22
20S	403AT52	M20 × 1.5	8	13	23	26.4	24	5.5	28.6	26
20	403AT53	M20 × 1.5	10	15	23	28.6	26	5.5	28.6	26
25	403AT55	M25 × 1.5	13	19	29	35.2	32	6	35.2	32
32	403AT56	M32 × 1.5	18	25	29	45.1	41	6.5	46.2	42
40	403AT57	M40 × 1.5	24	32	35	57.2	52	7	59.4	54
50	403AT59	M50 × 1.5	29	38	40	64.9	59	7	72.6	66
63	403AT61	M63 × 1.5	36	44	42	71.5	65	9	88.0	80