

Explosion Proof Glands

A2EX EEx d IIC & EEx e II Deluge Proof IP68 Gland



Application

Features & Benefits

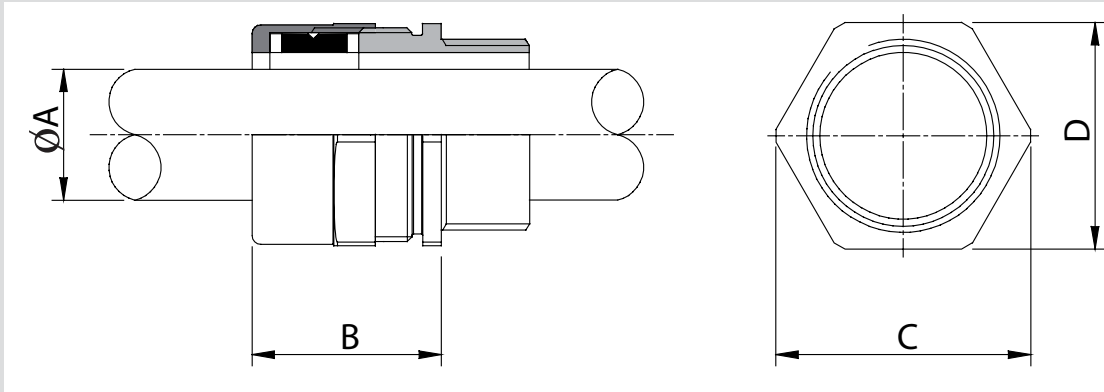


Technical Data

- > For unarmoured and braided cable
- > Brass indoor and outdoor cable gland for use in hazardous areas
- > Suitable for circular unarmoured cables with extruded oversheath
- > Fitted with silicone rubber low smoke, zero halogen seal
- > Achieves IP66, IP68 (1 bar) and deluge proof (DTS01:1991) seal onto cable and to enclosure with suitable sealing washer or thread sealant
- > Suitable for most climatic conditions – weatherproof, waterproof and deluge proof
- > Dual seal option (A2EXP) available to special order
- > Nickel plated versions also available
- > Matching accessory kits available
- > Certified II 2GD, EEx e II & EEx d IIC under ATEX directive 94/9/EC
- > Certificate number Sira99ATEX1086X
- > Service temperature range -50°C to +200°C
- > May be used in:
 - Zones 0, 1 & 2 with EEx ia IIA, B & C equipment
 - Zones 1 & 2 with EEx ib IIA, B & C equipment
 - Zones 1 & 2 with EEx e II equipment
 - Zones 1 & 2 with EEx p II equipment
 - Zone 2 with EEx nA II equipment
 - Zones 21 & 22 with EEx tD II equipment
- > Where the cable is effectively filled, may also be used in:
 - Zones 1 & 2 with EEx d IIC equipment not containing a source of ignition & with a volume less than 2000 cm³
 - Zones 1 & 2 with EEx d IIA & EEx d IIB equipment not containing a source of ignition & with any volume
 - Zone 1 with EEx d IIA & EEx d IIB equipment containing a source of ignition & with a volume less than 2000 cm³
 - Zone 2 with EEx d IIA & EEx d IIB equipment containing a source of ignition & with any volume
 - Zone 2 with EEx nR II equipment
- > UL Classified in accordance with IEC 60079-0, 60079-1 and 60079-7 for use in hazardous locations
- > UL Listed for use in Class 1, Zone 0, 1 and 2 hazardous locations for Canada



A2EX EEx d IIC & EEx e II Deluge Proof IP68 Gland



Gland Details

Basic Size	Gland References & Thread Sizes				Gland Dimensions mm				
	Metric		NPT		Cable Dia. 'A' mm		Approx. Length 'B'	Hexagon Size	
	Design No.	Thread Size *	Design No.	Thread Size	Min	Max		A/C 'C'	A/F 'D'
16	494AB51	M16 × 1.5			3.5	8.5	36	24.9	22.0
16			494NE03	½" - 14 NPT	3.5	8.5	36	28.7	25.7
20SS	494AB71	M20 × 1.5			3.5	8.5	36	24.9	22.0
20S	494AB52	M20 × 1.5			8.0	11.5	36	24.9	22.0
20S			494NE04	½" - 14 NPT	8.0	11.5	36	31.8	27.8
20	494AB53	M20 × 1.5			8.0	16.0	34	28.7	25.7
20			494NE05	½" - 14 NPT	8.0	16.0	34	36.9	33.0
20			494NE08	¾" - 14 NPT	8.0	16.0	34	36.9	33.0
25	494AB55	M25 × 1.5	494NE10	¾" - 14 NPT	11.5	21.0	44	36.9	33.0
25			494NE14	1" - 11½ NPT	11.5	21.0	44	42.2	37.5
32	494AB56	M32 × 1.5	494NE15	1" - 11½ NPT	18.5	27.5	38	42.2	37.5
32			494NE20	1¼" - 11½ NPT	18.5	27.5	38	52.9	47.2
40	494AB57	M40 × 1.5	494NE21	1¼" - 11½ NPT	24.0	34.0	46	53.6	47.2
40			494NE27	1½" - 11½ NPT	24.0	34.0	46	63.1	56.4
50	494AB59	M50 × 1.5			31.0	41.0	44	61.5	56.4
50			494NE32	2" - 11½ NPT	31.0	41.0	44	71.5	65.0
63	494AB61	M63 × 1.5			40.0	52.5	61	77.2	70.0
63			494NE38	2½" - 8 NPT	40.0	52.5	61	87.4	80.0
75S	494AB62	M75 × 1.5			52.5	58.0	46	87.4	80.0
75S			494NE44	3" - 8 NPT	52.5	58.0	46	109.2	98.8
75	494AB63	M75 × 1.5			54.5	65.5	66	87.4	80.0
75			494NE45	3" - 8 NPT	54.5	65.5	66	109.2	98.8

* 1.5mm Pitch threads are supplied 15mm long, 2mm pitch threads are supplied 20mm long