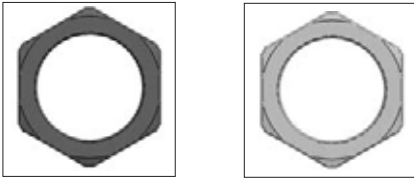
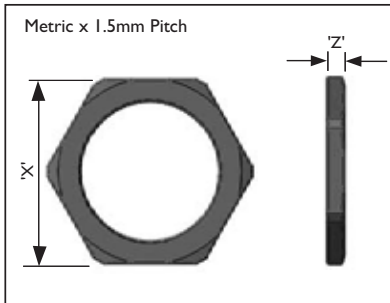


Plastic Cable Gland Accessories

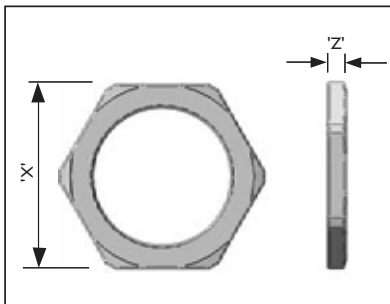


Metric Nylon Locknuts



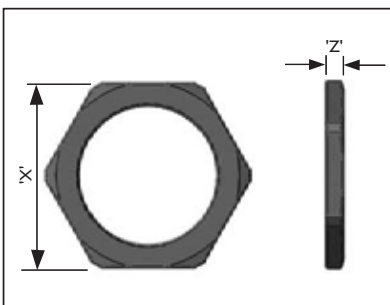
| LOCKNUT SELECTION TABLE | | | | |
|-------------------------|------------------|-----|--------------------|-------------|
| Metric Cable Gland | Across Flats 'X' | 'Z' | Product Part Codes | |
| | | | Black | Grey |
| M12 | 17.0 | 5.0 | P3/LN/M12/S | P3/LN/M12/G |
| M16 | 22.0 | 5.0 | P3/LN/M16/S | P3/LN/M16/G |
| M20 | 27.0 | 6.0 | P3/LN/M20/S | P3/LN/M20/G |
| M25 | 36.0 | 7.0 | P3/LN/M25/S | P3/LN/M25/G |
| M32 | 41.0 | 7.0 | P3/LN/M32/S | P3/LN/M32/G |
| M40 | 50.0 | 7.0 | P3/LN/M40/S | P3/LN/M40/G |
| M50 | 60.0 | 8.0 | P3/LN/M50/S | P3/LN/M50/G |
| M63 | 75.0 | 8.0 | P3/LN/M63/S | P3/LN/M63/G |

NPT Nylon Locknuts



| LOCKNUT SELECTION TABLE | | | | |
|-------------------------|------------------|-----|--------------------|-----------------|
| NPT * Cable Gland | Across Flats 'X' | 'Z' | Product Part Codes | |
| | | | Black | Grey |
| 3/8" | 24.0 | 7.0 | P3/LN/3/8"NPT/S | P3/LN/3/8"NPT/G |
| 1/2" | 27.0 | 6.0 | P3/LN/1/2"NPT/S | P3/LN/1/2"NPT/G |
| 3/4" | 32.0 | 7.0 | P3/LN/3/4"NPT/S | P3/LN/3/4"NPT/G |
| 1" | 40.0 | 7.0 | P3/LN/1"NPT/S | P3/LN/1"NPT/G |

PG Nylon Locknuts



| LOCKNUT SELECTION TABLE | | | | |
|-------------------------|------------------|-----|--------------------|----------------|
| PG Cable Gland | Across Flats 'X' | 'Z' | Product Part Codes | |
| | | | Black | Grey |
| PG7 | 19.0 | 5.0 | P3/LN/PG7/S | P3/LN/PG7/G |
| PG9 | 22.0 | 5.0 | P3/LN/PG9/S | P3/LN/PG9/G |
| PG11 | 24.0 | 5.0 | P3/LN/PG11/S | P3/LN/PG11/G |
| PG13.5 | 27.0 | 6.0 | P3/LN/PG13.5/S | P3/LN/PG13.5/G |
| PG16 | 30.0 | 6.0 | P3/LN/PG16/S | P3/LN/PG16/G |
| PG21 | 36.0 | 7.0 | P3/LN/PG21/S | P3/LN/PG21/G |
| PG29 | 46.0 | 7.0 | P3/LN/PG29/S | P3/LN/PG29/G |
| PG36 | 60.0 | 8.0 | P3/LN/PG36/S | P3/LN/PG36/G |
| PG42 | 65.0 | 8.0 | P3/LN/PG42/S | P3/LN/PG42/G |
| PG48 | 70.0 | 8.0 | P3/LN/PG48/S | P3/LN/PG48/G |

Features

- Secures a cable gland in position at the equipment.

Technical Data

- Operating temperature range -20°C to +90°C as standard.

Materials & Finishes

The locknut is manufactured in polyamide.

General Information

All dimensions in millimetres (except* where dimensions are in inches). Hawke does not recommend the use of tapered entry threads in enclosures with plain clearance holes. Parallel threaded entries are recommended for this purpose.

Ordering Example

For ordering examples please see product part codes section in the selection tables above.