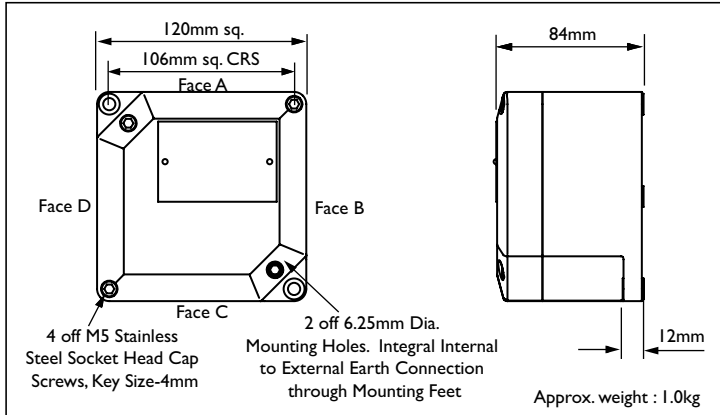




Enclosure Type Glass Reinforced Polyester PL712 Increased Safety EExe



Technical Data

- Increased Safety EExe. II 2 GD EExe II.
- PL712 BASEEFA Certificate No. BAS 01 ATEX 2108X.
- ZPL712 BASEEFA Certificate No. BAS 01 ATEX 2102U.
- Suitable for use in Zone I, Zone 2, Zone 21 & Zone 22.
- Construction and test standards EN 50014, EN 50019 and EN 50281-1-1. IEC 60079-0 and IEC 60079-7.
- IP66 ingress protection to IEC 60529 and EN 60529.
- DTS01 deluge protection witnessed by EECS.
- Operating temperature range -20°C to +75°C.
- Temperature Class and Ambient T6 40°C. Optional T5 with ambients up to 65°C.
- Assembly instruction data sheet No. A.I. 273. For PL712.
- Assembly instruction data sheet No. A.I. 272. For ZPL712.
- Alternative Certification Options Available.
 - Exe II.
 - AExe II/Exe II.

PL7 Series GRP Enclosures

MAXIMUM QUANTITY OF ENTRIES PER FACE			
Thread Size	M16/M20	M25	M32
Quantity	3	2	1

Note: For Cable Entry Positions see page 19.

For full Technical Specification see page 20.

TERMINAL CAPACITY DATA								
Terminal Type	Conductor Size (mm ²)		Max. Volts	Max. Physical Terminal Content		Reduced Terminal Content at Max. Terminal Amps		
	Min.	Max.		Terminal Quantity	Amps	Terminal Quantity	Amps	
WDU 2.5N	0.5	2.5	420	12	14	5	21	
WDU 2.5	0.5	2.5	550	10	16	6	21	
WDU 4	0.5	4	750	10	20	5	28	
WDU 6	0.5	6	550	7	30	4	36	
WDU 10	1.5	10	550	6	40	4	50	
BK6	1	4	275	1	21	N/A	N/A	
MK6/6	1	6	420	1	26	N/A	N/A	
HTB6	0.5	Max. Per Pillar: 2 x 10mm ² 3 x 6mm ² 4 x 4mm ² 4 x 0.5mm ² MIN	550	1	Conductor Size mm ²	Max Amps Per Pillar	N/A	N/A
					0.5	1		
					0.75	1		
					1	8		
					1.5	10		
					2.5	15		
					4	21		
6	26							
10	37							

Notes: For Junction Box Wattage Factor & Combined Terminal Resistance see pages 37 - 39.
An earth terminal equal to that of the largest power terminal will be fitted.