

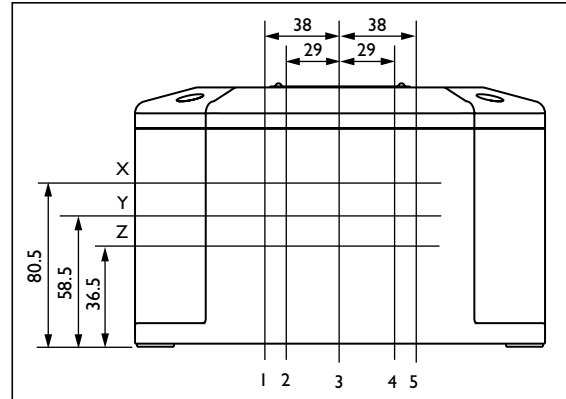


Cable Gland Entry Positions PL6 Series GRP Enclosures

Increased Safety EExe

PL6 Series Gland Entry Positions

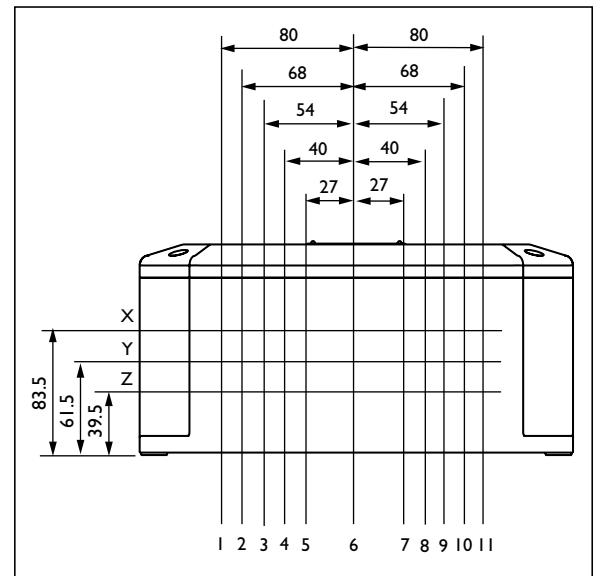
PL620 CABLE GLAND ENTRY POSITIONS				
Entries Per Face	Standard Positions of Entries (Maximum Sizes Shown - Equivalent Parallel Threads or Smaller Permissible)			
	M16/20	M25	M32	M40/50
1	3Y	3Y	3Y	3Y
2	2Y 4Y	2Y 4Y	2Y 4Y	-
3	2X 4X 3Z	2X 4X 3Z	-	-
4	2X 4X 2Z 4Z	2X 4X 2Z 4Z	-	-
5	1X 3Y 5X 1Z 5Z	-	-	-
6	1X 3X 5X 1Z 3Z 5Z	-	-	-



All Dimensions in millimetres.

Note : Non-standard/mixed entry positions may be available. Please contact Hawke Sales.

PL630 CABLE GLAND ENTRY POSITIONS					
Entries Per Face	Standard Positions of Entries (Maximum Sizes Shown - Equivalent Parallel Threads or Smaller Permissible)				
	M16/M20	M25	M32 or M40	M50 or M63	M75
1	6Y	6Y	6Y	6Y	6Y
2	3Y 9Y	3Y 9Y	3Y 9Y	3Y 9Y	-
3	2Y 6Y 10Y	2Y 6Y 10Y	2Y 6Y 10Y	-	-
4	1Y 5Y 7Y 11Y	1Y 5Y 7Y 11Y	-	-	-
5	1Y 4Y 5Y 8Y 11Y	1X 6Y 11X 1Z 11Z	-	-	-
6	1X 6X 11X 1Z 6Z 11Z	1X 6X 11X 1Z 6Z 11Z	-	-	-
7	Select from below	Select from below	-	-	-
8	1X 5X 7X 11X 1Z 5Z 7Z 11Z	1X 5X 7X 11X 1Z 5Z 7Z 11Z	-	-	-
9	Select from below	-	-	-	-
10	1X4X6X8X11X 1Z4Z6Z8X11Z	-	-	-	-



All Dimensions in millimetres.

Note : Non-standard/mixed entry positions may be available. Please contact Hawke Sales.