

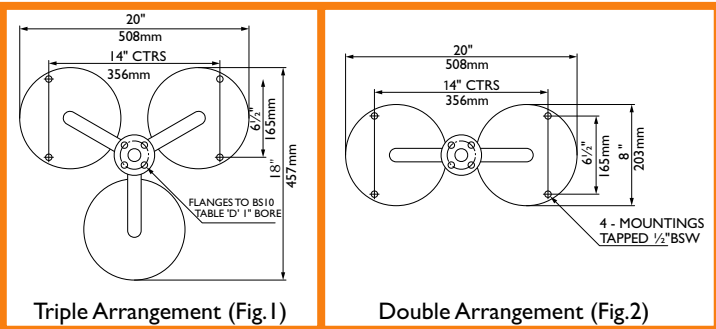
HB Types

Multiple Breather Units and Accessories

Multiple Breather Units Types: HB55, HB66, HB77 & HB777

The design of the Hawke Desiccant Breather in its single unit form (i.e. HB2) has been limited to weights and dimensions which enable easy handling during initial installation and subsequent charge replacement. However, parallel arrangements are available for those situations where the oil volume of the transformer requires larger volumes of Desiccant gel.

Please see the table on page 3 for more information.

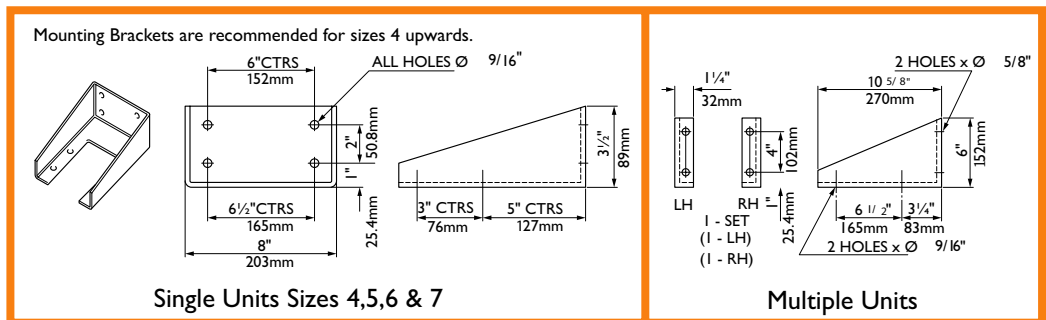


Where Breather charges are operated in parallel, it is essential that only one oil valve is used, this maintains a balanced air flow through each branch of the multiple arrangement. The pipework for the connection of two and three breathers in parallel are standard fittings.

See Fig.1 and Fig.2 for dimensional drawings.

All interconnecting pipework is polythene coated to provide protection where installations are located outdoors.

Accessories for Hawke Transformer Breather Units



Transformer Breather Dryer Unit

Hawke have designed a new, highly efficient, specialist drying unit that can be used on all HB products. This portable unit will dry out and recharge saturated charges. This exercise can be carried out 3 times prolonging the working life of each charge.

The unit comprises of :-

- A (240 volt or 110 volt) Blower Motor complete with thermal protection
- 1/2 Kw Heater element.
- Pressure release valve and air filter.
- Stainless steel two way connecting pipework and manifold with adaptors accepting up to two breather charges.
- Substantial mild steel black enamel coated framework.

