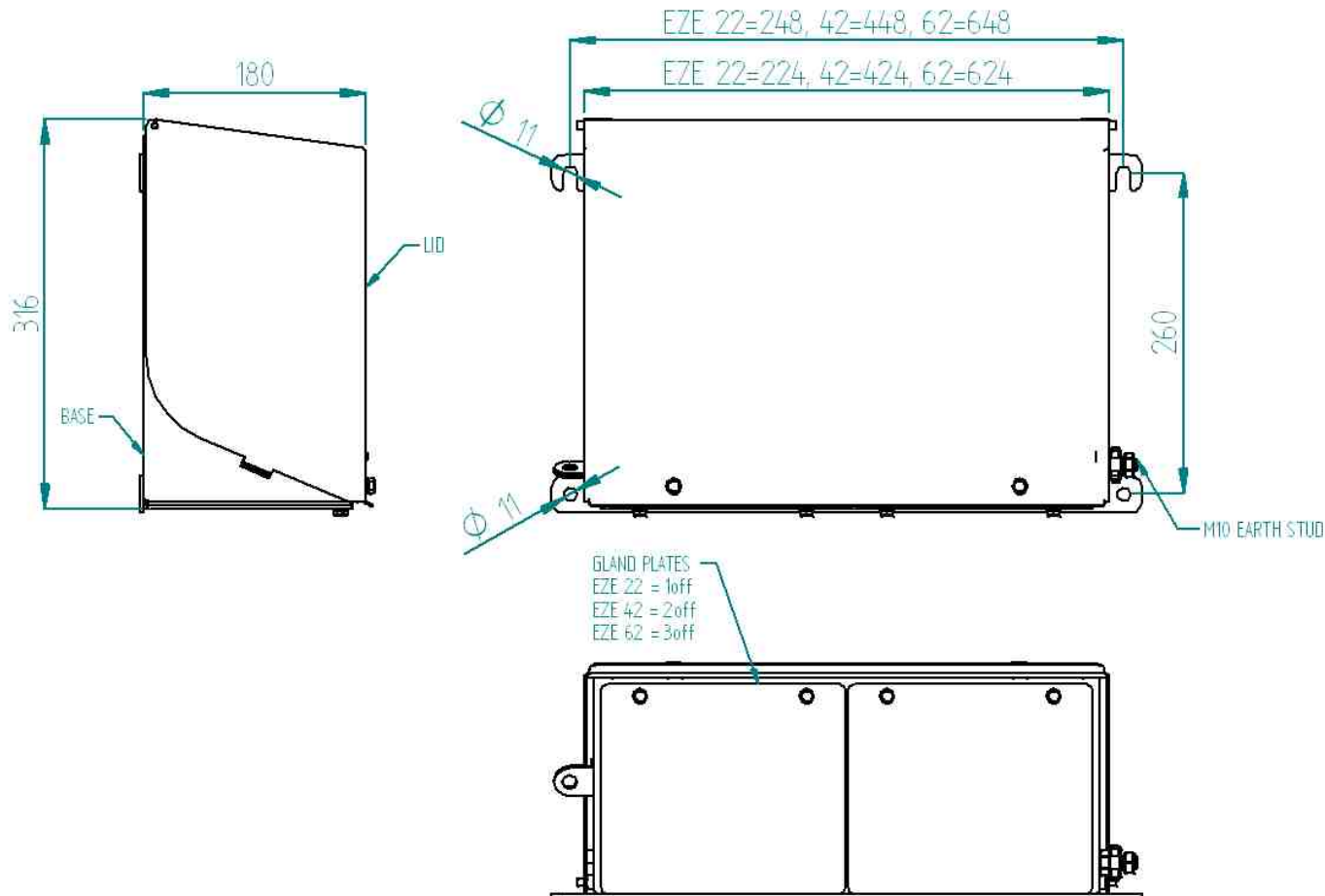


IMPORTANT: THIS DOCUMENT SHOULD BE READ CAREFULLY BEFORE COMMENCING INSTALLATION



ZONES OF USE OF TERMINAL BOX

CAT II 2G for use in Zone 1. Areas as defined in BS EN 60079-14.

CAT II 2D for use in Zone 21 or 22. Areas defined in EN 50281-1-2

CAT II 3D for use in Zone 22. Areas as defined in EN 50281-1-2 (Non-Conductive Dusts)

SERVICE TEMPERATURE : -40°C to +80°C

CERTIFICATION MARKING :

STANDARD JUNCTION BOX EZE 22, 42 & 62 (Including when fitted with EMC gasket and/or breather/drains that satisfy IP6*):

⊕ II 2 GD. T** EExe II T* Tamb *** Baseefa04ATEX0170U - IP 6*

ALTERNATIVE JUNCTION BOX EZE A22, A42 & A62 (When fitted with breather/drains that satisfy IP5*):

⊕ II 2G 3D T** EExe II T* Tamb *** Baseefa04ATEX0170U - IP 5*

COMPONENT CERTIFIED ENCLOSURE ONLY, ADDITIONAL CERTIFICATION REQUIRED WHEN ASSEMBLED WITH OTHER ELECTRICAL EQUIPMENT.

TO OPEN THE LID:

1. Disconnect power (isolate all circuits).
2. Unlock padlock (if fitted) and remove.
3. Untighten the M6 lid securing screws.
4. Carefully swing the lid up on its hinges.
5. Swing out the lid prop and rest the lid's edge in the 'U' bend.
6. Tighten the screw through the hole in the lid to prevent accidental lid closure.

TO CLOSE THE LID:

1. Unscrew the lid prop screw until it clears the hole in the lid.
2. Lift the lid and swing the lid prop back inside the box.
3. Carefully close the lid.
4. Tighten the M6 lid securing screws.

TO REMOVE THE LID:

1. Disconnect power (isolate all circuits).
2. Unlock padlock (if fitted) and remove.
3. Untighten the M6 lid securing screws.
4. Screw one of the hinge grub screws inwards until it clears the hole in the lid.
5. Hold the lid securely and then screw the other grub screw inwards until it clears the hole in the lid.
6. Remove the lid and place in a area where it will not be subject to damage or moisture.

TO REPLACE THE LID:

1. Ensure inside of the lid is dry and free of dust and foreign matter.
2. Place the lid back onto the base and hold securely in position.
3. Unscrew the hinge grub screws through the holes in the lid as far as possible.
4. Tighten the M6 lid securing screws.

ENCLOSURE INSTALLATION (EI)

1. The IP rating of the enclosure must be maintained for the area of use (e.g. IP6* for Zone 21 dust environment) by the use of correct arrangement of cable / gland / sealing arrangements and in accordance with the installation codes as detailed in BS EN 60079-14, EN 50281 and these installation instructions.
2. Where other certified components are part of the assembly, the user must take account of any limitations listed on relevant certificates.
3. If an optional Breather / Drain **as listed on the enclosure certificate** is fitted the enclosure must be sited such that the Breather / Drain is pointing vertically downwards from the bottom of the box, and the IP rating of the selected Breather / Drain **shall** match the IP rating of the enclosure.
4. The enclosure may be ready supplied with cable entries. Where the customer drills cable entries they must be installed in accordance with the component certificate Baseefa04ATEX0170U enclosure limitations, these specify a maximum clearance on the entry thread of 0.7mm and where adjacent cable entries are installed sufficient clearance must be maintained to allow for the fitting of sealing / retaining washers and the rotation of the cable gland hexagons. If site drilling takes place, carefully remove any drilling debris, particularly close to seal areas.
5. All unused entry apertures must be sealed using a stopping plug **as listed on the enclosure certificate**, and also the IP rating of the junction box shall be maintained for the zone of use.

EARTHING

1. Where there is a requirement for electrical bonding of gland plate, this can be achieved by using earth tags in conjunction with cable glands or by use of earth studs. In the case of painted boxes, consideration must be given to the removal of the paint, E.g. under a serrated washer on the inside of the box which may lead to corrosion of the enclosure and potential reduction in earthing protection. This area following installation must be protected against corrosion.
2. The earth leads must be at least equal to the cross section of the largest live conductor up to 16mm² or a minimum of 0.5 x the maximum cross sectional area of the live conductor above 35mm², with a minimum cross sectional area of 16mm².

Visit our Web Site at www.ehawke.com

Safety First

Hawke International
UK Office,
Oxford Street West,
Ashton-under-Lyne,
Lancashire.
OL7 0NA, UK.

Sales: UK 0870 60 60 105
Sales: +44 (0) 161 830 6698
Technical UK: 0870 458 9358
Technical: +44 (0) 161 830 6697
Fax: +44 (0) 161 830 6648
E-mail: sales@ehawke.com

HAWKE
International

HAWKE
International